



Coolant Filtration

93 mm / 3.66" Filter Diameter



93 mm Filter Assembly

Coolant System

Up to 1500 lpm / 400 gpm

Operating Pressure

1034 kPa / 150 psi

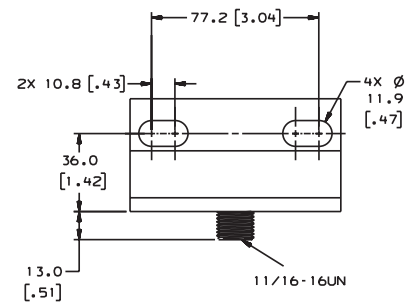
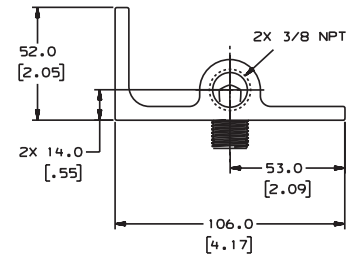
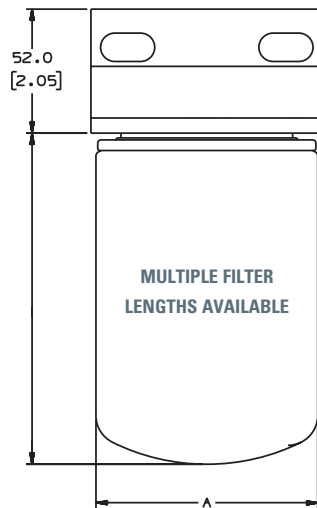
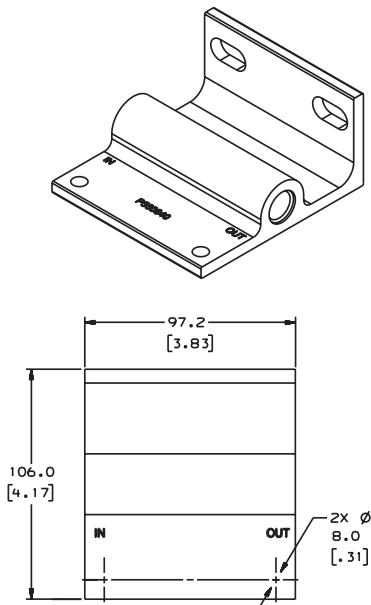
Oil Compatibility

Compatible with petroleum based fluids (hydrocarbon)



Head
3/8" NPT Ports
PART NO. P550840

Specification Illustrations





Filter Selection Chart

(C) Filter Length		Media Type	Efficiency @ 99%	Additive Units	SCA Filter Part No.	SCA+ Filter Part No.
in	mm					
4.21	107	Cellulose	50 µm	2 Units	N/A	P552070
				4 Units	P554071	P552071
				6 Units	P554072	P552072
5.35	135	Synteq Synthetic	14 µm	Extended Service, No Additive	DBC4085	
				Extended Service, Additive Replenishment	DBC4088	N/A
		Cellulose	50 µm	8 Units	P554073	P552073
				12 Units	P554074	P552074
				15 Units	P554075	P552075
				Standard Service, No Additive	P554685	
7.87	200	Cellulose	50 µm	23 Units	N/A	P552076

Note

SCA may be substituted for DCA2 and BTE
SCA+ may be substituted for DCA4 and BTA Plus