



### In-Line Accessories

- Pressure gauges for monitoring system pressure
- Hoses and test points for sampling oil and determining ISO cleanliness levels
- Flanges to connect components
- Valves for system control



## In-Line Pressure Gauges

### Specifications

- Stainless steel (304SS)
- Phosphor bronze bourdon tube
- Acrylic lenses
- Built-in snubber
- Glycerin Filled



### Features

Donaldson Pressure Gauge Liquid-filled (PGL) series gauges are mechanical bourdon tube pressure gauges. Each gauge has a glycerin filled stainless steel bezel and case that is robust and will not discolor or rust. The bourdon tube and movement is constructed from brass and bronze alloys. PGL series gauges are easy to install for continuous readings with face diameters of 2½" (63mm) and 4" (100mm).

Operating Temperatures		Dial Sizes			
• 30°F to 160°F (-1°C to 71°C)		• 2½" (63mm) and 4" (100mm)			
Accuracy		Mounting			
• +/- 3% of full scale		• Stem, Panel, Front Flange			
Scale		Thread Type			
• psi	• bar	• 2½" size	• 4"	• ¼" NPT, ¼" SAE, ¼" BSP	• ½" NPT

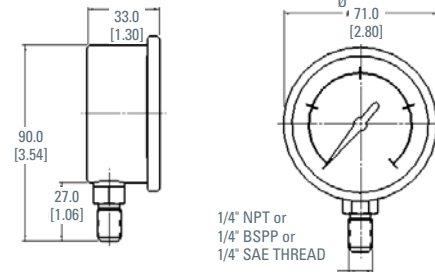
# In-Line Pressure Gauges

## Pressure Range Options

PGL-A	30 Hg-20 psi	0-30 in. Hg	0-30 psi	0-60 psi	0-100 psi	0-160 psi	0-300 psi	0-500 psi	0-600 psi	0-1000 psi	0-1500 psi	0-2000 psi	0-3000 psi	0-4000 psi	0-5000/345 psi	0-6000 psi	0-10000 psi
2 1/2" Stem	•	•	•	•	•	•	•	•	•	•	•	•	•	•	•	•	•
2 1/2" SAE Stem							•	•	•	•	•	•	•	•	•		
2 1/2" Panel	•			•	•	•	•	•	•	•	•	•	•	•	•	•	•
4" Stem							•	•	•	•	•	•	•	•	•	•	•
4" Panel							•	•	•	•	•	•	•	•	•	•	•

## 2 1/2" Diameter Gauges

### Stem Mount

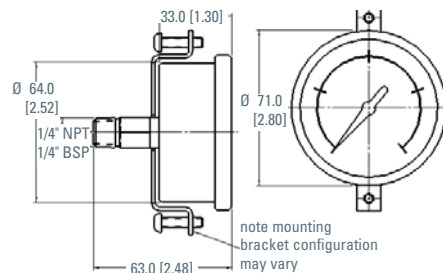


1/4" NPT or  
1/4" BSPP or  
1/4" SAE THREAD

## Front Flange Options

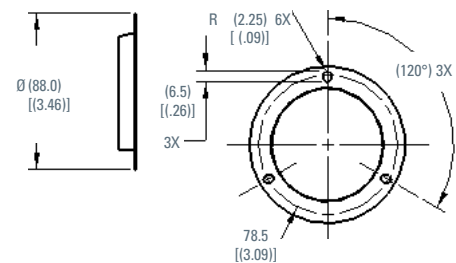
Part No.	Description	Dial Size
P562699	PGL-A-63-FF	2-1/2" (63mm)
P562671	PGL-A-100-FF	4" (100mm)

### Panel Mount



note mounting  
bracket configuration  
may vary

### With Front Flange



## 2 1/2" Stem Mount

Part No.	Description	Pressure Range (psi/bar)	Thread Type
P562718	PGL-A-63-N-B-30-CS	-30" Hg + 20/1	1/4" NPT
P562719	PGL-A-63-N-B-30-S	0 - 30/2	1/4" NPT
P562721	PGL-A-63-N-B-30-VS	0 - 30" Hg Vac	1/4" NPT
P562733	PGL-A-63-N-B-60-S	0 - 60/4	1/4" NPT
P562705	PGL-A-63-N-B-100-S	0 - 100/7	1/4" NPT
P562709	PGL-A-63-N-B-160-S	0 - 160/11	1/4" NPT
P562717	PGL-A-63-N-B-300-S	0 - 300/20	1/4" NPT
P562727	PGL-A-63-N-B-500-S	0 - 500/35	1/4" NPT
P562731	PGL-A-63-N-B-600-S	0 - 600/40	1/4" NPT
P562703	PGL-A-63-N-B-1000-S	0 - 1,000/70	1/4" NPT
P562707	PGL-A-63-N-B-1500-S	0 - 1,500/100	1/4" NPT
P562711	PGL-A-63-N-B-2000-S	0 - 2,000/125	1/4" NPT
P562713	PGL-A-63-N-B-3000-S	0 - 3,000/200	1/4" NPT
P562723	PGL-A-63-N-B-4000-S	0 - 4,000/275	1/4" NPT
P562725	PGL-A-63-N-B-5000/345-S	0 - 5,000/350	1/4" NPT
P562729	PGL-A-63-N-B-6000-S	0 - 6,000/400	1/4" NPT
P562701	PGL-A-63-N-B-10,000-S	0 - 10,000/700	1/4" NPT
P562696	PGL-A-63-B-B-1500-S	0 - 1,500/100	1/4" BSP
P562739	PGL-A-63-S-B-500-S	0 - 500/35	1/4" SAE
P562734	PGL-A-63-S-B-1000-S	0 - 1,000/70	1/4" SAE
P562735	PGL-A-63-S-B-1500-S	0 - 1,500/100	1/4" SAE
P562736	PGL-A-63-S-B-2000-S	0 - 2,000/125	1/4" SAE
P562737	PGL-A-63-S-B-3000-S	0 - 3,000/200	1/4" SAE
P562738	PGL-A-63-S-B-5000/345-S	0 - 5,000/350	1/4" SAE
P562740	PGL-A-63-S-B-6000-S	0 - 6,000/400	1/4" SAE

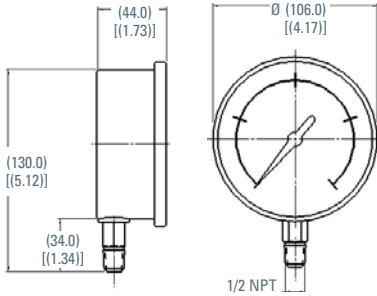
## 2 1/2" Panel Mount

Part No.	Description	Pressure Range (psi/bar)	Thread Type
P562720	PGL-A-63-N-B-30-VP	0 - 30" Hg Vac	1/4" NPT
P562732	PGL-A-63-N-B-60-P	0 - 60/4	1/4" NPT
P562704	PGL-A-63-N-B-100-P	0 - 100/7	1/4" NPT
P562708	PGL-A-63-N-B-160-P	0 - 160/11	1/4" NPT
P562716	PGL-A-63-N-B-300-P	0 - 300/20	1/4" NPT
P562726	PGL-A-63-N-B-500-P	0 - 500/35	1/4" NPT
P562730	PGL-A-63-N-B-600-P	0 - 600/40	1/4" NPT
P562702	PGL-A-63-N-B-1000-P	0 - 1,000/70	1/4" NPT
P562706	PGL-A-63-N-B-1500-P	0 - 1,500/100	1/4" NPT
P562710	PGL-A-63-N-B-2000-P	0 - 2,000/125	1/4" NPT
P562712	PGL-A-63-N-B-3000-P	0 - 3,000/200	1/4" NPT
P562722	PGL-A-63-N-B-4000-P	0 - 4,000/275	1/4" NPT
P562724	PGL-A-63-N-B-5000/345-P	0 - 5,000/350	1/4" NPT
P562728	PGL-A-63-N-B-6000-P	0 - 6,000/400	1/4" NPT
P562700	PGL-A-63-N-B-10,000-P	0 - 10,000/700	1/4" NPT
P562697	PGL-A-63-B-B-3000-P	0 - 3,000/200	1/4" BSP
P562698	PGL-A-63-B-B-4000-P	0 - 4,000/275	1/4" BSP

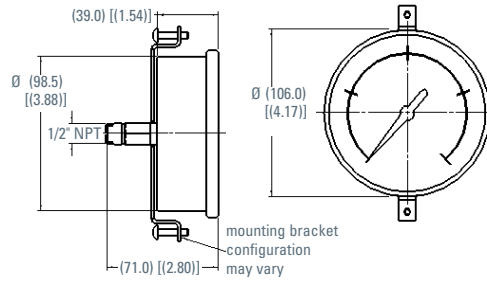


## 4" Diameter Gauges

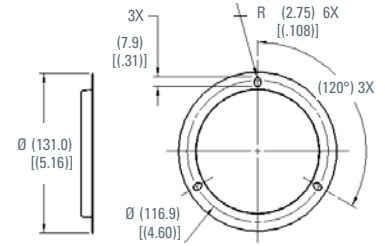
### Stem Mount



### Panel Mount



### With Front Flange



### 4" Stem Mount

Part No.	Description	Pressure Range (psi/bar)	Thread Type
P562683	PGL-A-100-N-B-300-S	0 - 300/20	1/2" NPT
P562688	PGL-A-100-N-B-600-S	0 - 600/40	1/2" NPT
P562675	PGL-A-100-N-B-1000-S	0 - 1,000/70	1/2" NPT
P562677	PGL-A-100-N-B-1500-S	0 - 1,500/100	1/2" NPT
P562679	PGL-A-100-N-B-2000-S	0 - 2,000/125	1/2" NPT
P562681	PGL-A-100-N-B-3000-S	0 - 3,000/200	1/2" NPT
P562685	PGL-A-100-N-B-5000	0 - 5,000/350	1/2" NPT
P562686	PGL-A-100-N-B-6000-S	0 - 6,000/400	1/2" NPT
P562673	PGL-A-100-N-B-10,000-S	0 - 10,000/700	1/2" NPT

### 4" Panel Mount

Part No.	Description	Pressure Range (psi/bar)	Thread Type
P562682	PGL-A-100-N-B-300-P	0 - 300/20	1/2" NPT
P562687	PGL-A-100-N-B-600-P	0 - 600/40	1/2" NPT
P562674	PGL-A-100-N-B-1000-P	0 - 1,000/70	1/2" NPT
P562676	PGL-A-100-N-B-1500-P	0 - 1,500/100	1/2" NPT
P562678	PGL-A-100-N-B-2000-P	0 - 2,000/125	1/2" NPT
P562680	PGL-A-100-N-B-3000-P	0 - 3,000/200	1/2" NPT
P562684	PGL-A-100-N-B-5000	0 - 5,000/350	1/2" NPT
P562672	PGL-A-100-N-B-10,000-P	0 - 10,000/700	1/2" NPT



# Test Points

## Specifications

- Working Pressure: 9000 psi / 630 bar
- Seals: Nitrile
- Caps: Plastic or metal
- Leak-free connection at full pressure



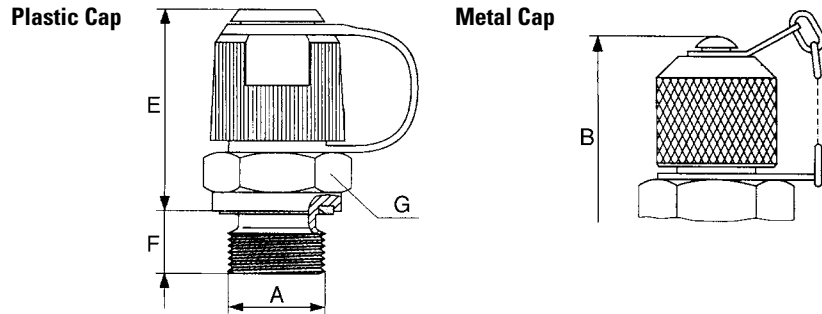
## Features

Test points can be used as a connection into the hydraulic system on the suction side, pressure side or return. They allow connection for pressure transducers and provide ports for fluid sampling (so you can monitor cleanliness and keep your system operating optimally). If you have filters installed in hard-to-access locations, test points and hose assemblies can be used to plumb up a bulkhead to read pressure differentials.

Styles	Temperature Range
<ul style="list-style-type: none"> <li>• Pressure</li> </ul>	<ul style="list-style-type: none"> <li>• Metal cap: -22°F to 248°F / -30°C to 120°C</li> </ul>
Applications	<ul style="list-style-type: none"> <li>• Plastic cap: -22°F to 212°F / -30°C to 100°C</li> </ul>
<ul style="list-style-type: none"> <li>• Fluid or gas</li> </ul>	



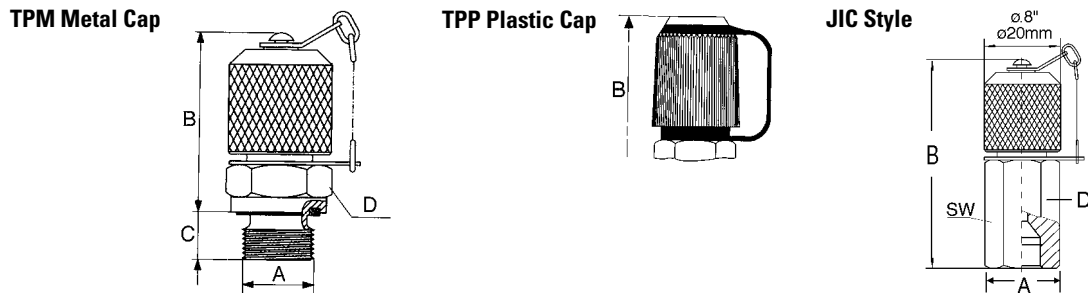
## TPM/TPP-1215 Assembly Views M12x1.5 Thread



### Test Point Choices

Part No.	Description	Working Pressure psi/bar	A Thread Type	E (in/mm)	F (in/mm)	G (in/mm)	Cap
P563192	TPM-1215-04G	9000/630	1/4" BSPP, Form G	1.30/33	.33/8.5	0.55/14	Metal
P563197	TPP-1215-02N	5800/400	1/8" NPTF	1.14/29	.47/12	0.55/14	Plastic
P563193	TPM-1215-04N	9000/630	1/4" NPTF	1.14/29	.59/15	0.55/14	Metal
P563199	TPP-1215-03S	9000/630	3/8"-24 UNF (#3 SAE)	1.42/36	.39/10	0.87/22	Plastic
P563206	TPP-1215-04S	9000/630	7/16"-20 UNF (#4 SAE)	1.26/32	.35/9	0.67/17	Plastic
P563207	TPP-1215-06S	9000/630	9/16"-18 UNF (#6 SAE)	1.22/31	.39/10	0.75/19	Plastic

## TPM/TPP-1620 Assembly Views M16x2 Thread



### Test Point Choices

Part No.	Description	Working Pressure psi/bar	A Thread Type	B (in/mm)	C (in/mm)	D (mm)	Cap
P563210	TPM-1620-02B	5800/400	ISO 228-G 1/8" BSPP	1.5/38	0.31/8	17	Metal
P563215	TPM-1620-04B	9000/630	ISO 228-G 1/4" BSPP	1.42/36	0.39/10	19	Metal
P563987	TPM-1620-06B	9000/630	ISO 228-G 3/8" BSPP	1.42/36	0.39/10	22	Metal
P563219	TPM-1620-04J	8100/600	#4 37° JIC Female	2.17/55	—	17	Metal
P563231	TPM-1620-06J	4500/315	#6 37° JIC Female	2.26/57.5	—	19	Metal
P563212	TPM-1620-02N	5800/400	1/8" NPTF	1.3/33	0.51/13	17	Metal
P563220	TPM-1620-04N	9000/630	1/4" NPTF	1.3/33	0.65/16.5	17	Metal
P563224	TPM-1620-04S	9000/630	7/16"-20 UNF (#4 SAE)	1.46/37	0.35/9	17	Metal
P563232	TPM-1620-06S	9000/630	9/16"-18 UNF (#6 SAE)	1.42/36	0.39/10	19	Metal



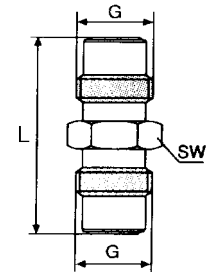
# Test Point Adapters



A variety of adapters to suit your application.

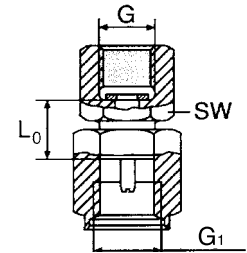
## Hose Union Gauge

Part No.	Description	G Thread	psi/bar	L (in/mm)	SW (in/mm)
P563263	AHU-1215	M12 x 1.5	9000/630	1.14/29	.55/14
P563264	AHU-1620	M16 x 2	9000/630	1.65/42	.67/17



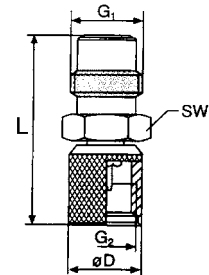
## Direct Gauge Adapter

Part No.	Description	G Int. Thread	G1 Thread	psi/bar	L0 (in/mm)	SW (in/mm)
P563808	ADG-1215-04N	1/4" NPT	M12 x 1.5	9000/630	1.14/29	.55/14
P563809	ADG-1620-04N	1/4" NPT	M16 x 2	9000/630	.55/14	.75/19



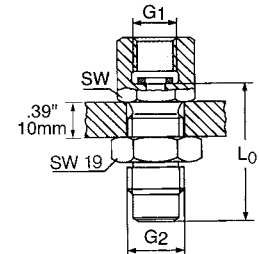
## Series Converter

Part No.	Description	G1 Thread	G2 Thread	ØD (in/mm)	L (in/mm)	SW (in/mm)
P563265	ASC-1215	M16 x 2	M12 x 1.5	.67/17	1.30/33	.67/17
P563266	ASC-1620	M12 x 1.5	M16 x 2	.79/20	1.04/26.5	.67/17



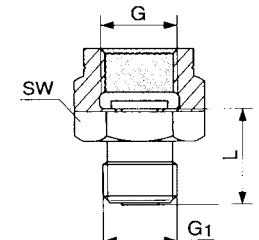
## Bulkhead Gauge Adaptor

Part No.	Description	G1 Thread	G2 Thread	L (in/mm)	SW (in/mm)
P563800	ABH-1215-04N	1/4" NPT	1215M 12 x 1.5	1.52/39.5	.75/27
P563807	ASC-1620-04N	1/4" NPT	1620/M16 x 2	1.52/38.5	.75/19



## Pressure Gauge Connection

Part No.	Description	G Thread	G1 Thread	psi/bar	L (in/mm)	SW (in/mm)
P563262	AHG-1215-04N	1/4" NPT	M12 x 1.5	9000/630	.71/18	.74/19



## Test Point Hose Assemblies

### Specifications

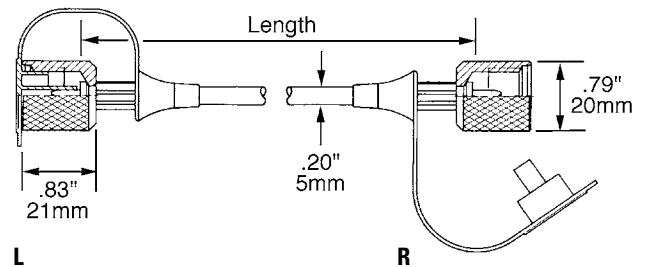
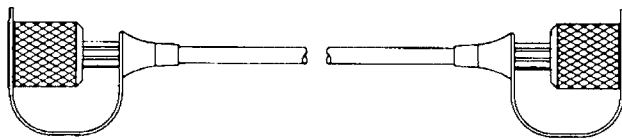
- Working Pressure to:  
9000 psi / 630 bar
- Temperature Range:  
-4°F to 212°F / -20°C to 100°C
- Length:  
12" to 180" / 305mm to 4570mm



### Features

Donaldson test point hoses are made of Polyamide 11 core with polyester braid reinforcement and Polyamide 11 cover. They are suitable for use with petroleum-based fluids. Hoses are standard straight on both ends and include plastic dust caps.

For hydraulic filters installed in hard-to-access locations, hose assemblies and test points can be used to plumb up a bulkhead to read pressure differentials.



### 1215 Series M12x1.5 Thread

Part No.	Description	Length (in/mm)
P563240	H-1215-B-0101-012	12/305
P563243	H-1215-B-0101-024	24/610
P563244	H-1215-B-0101-036	36/915
P563245	H-1215-B-0101-048	48/1220
P563246	H-1215-B-0101-072	72/1830
P563247	H-1215-B-0101-096	96/2440
P563248	H-1215-B-0101-120	120/3050
P563249	H-1215-B-0101-180	80/4570

### 1620 Series M16x2 Thread

Part No.	Description	Length (in/mm)
P563250	H-1620-B-0101-012	12/305
P563251	H-1620-B-0101-018	18/460
P563252	H-1620-B-0101-024	24/610
P563254	H-1620-B-0101-036	36/915
P563255	H-1620-B-0101-048	48/1220
P563256	H-1620-B-0101-072	72/1830
P563257	H-1620-B-0101-096	96/2440
P563259	H-1620-B-0101-120	120/3050
P563260	H-1620-B-0101-144	144/3660
P563261	H-1620-B-0101-180	180/4570

# In-Line Check Valves

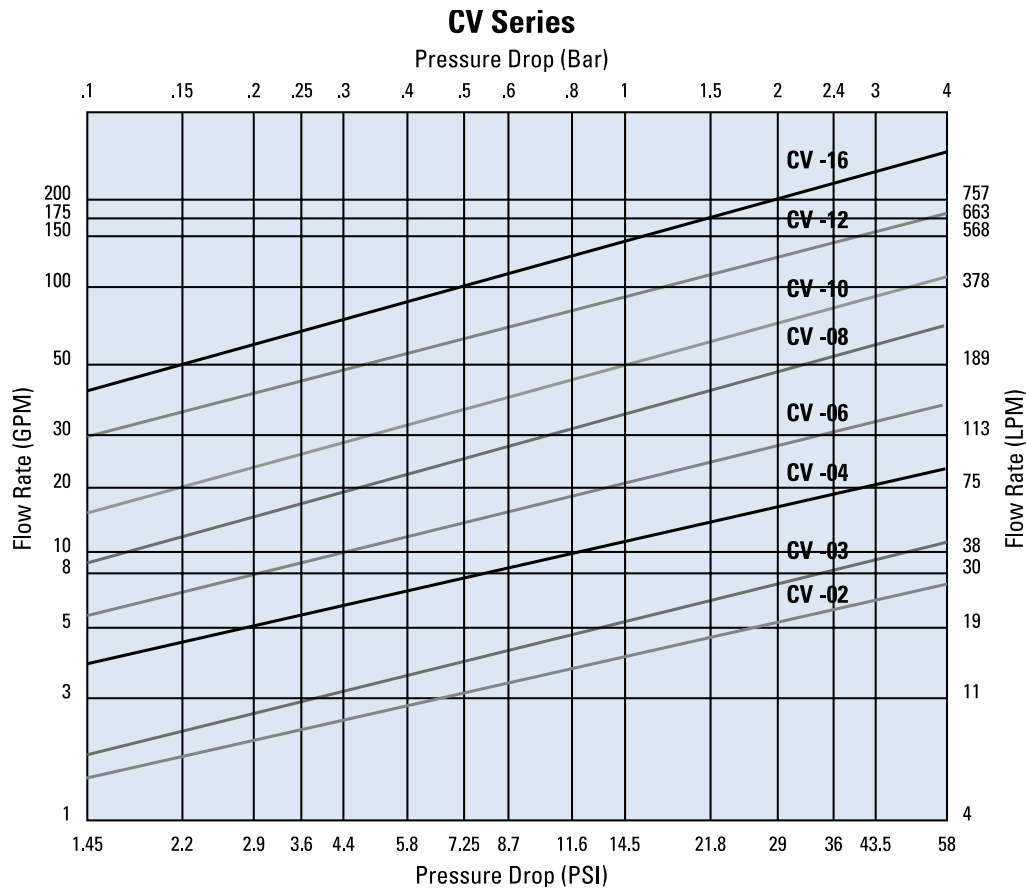
## Specifications

- Working Pressure to: 4350 psi / 300 bar
- Flow Range: 200 gpm 757 lpm



## Features

Steel constructed check valves are compatible with all non-corrosive liquids. Valves contain no elastomeric seals. Restricted orifice (.062) option available on some models.



The above chart is based on Hydraulic Oil 100 SUS, S.G. = 0.86

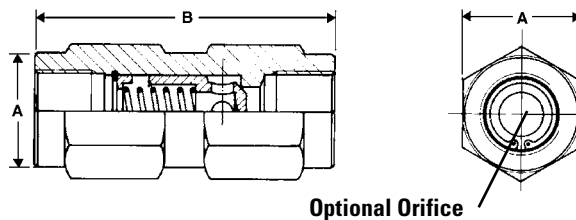
Sizes	Opening Pressure (Cracking)
<ul style="list-style-type: none"> <li>• ¼", 3/8", ½", ¾", 1", 1 ¼", 1 ½" and 2" NPT</li> <li>• #4, #6, #8, #12, #16, #20, #24 and #32 SAE</li> </ul>	<ul style="list-style-type: none"> <li>• 5 psi / 0.34 bar or 65 psi / 4.5 bar</li> </ul>





### In-Line Check Valve Options

Part No.	Reference	Max Working Pressure (psi/bar)	Max. Rated Flow Flow (gpm/lpm)	Opening Pressure (psi/bar)	Port	A (in/mm)	B (in/mm)
P562297	CV-02P-5	4350/300	6/23	5/0.34	1/4" NPT	0.75/19	2.17/55
P562298	CV-02P-65	4350/300	6/23	65/4.5	1/4" NPT	0.75/19	2.17/55
P562299	CV-02S-5	4350/300	6/23	5/0.34	#4 SAE	0.75/19	2.17/55
P562301	CV-03P-5	4350/300	10/38	5/0.34	3/8" NPT	0.98/25	2.68/68
P562302	CV-03P-65	4350/300	10/38	65/4.5	3/8" NPT	0.98/25	2.68/68
P562303	CV-03S-5	4350/300	10/38	5/0.34	#6 SAE	0.75/19	2.29/58
P562305	CV-04P-5	4350/300	16/60	5/0.34	1/2" NPT	1.06/27	2.95/75
P562306	CV-04P-65	4350/300	16/60	65/4.5	1/2" NPT	1.06/27	2.95/75
P562307	CV-04S-5	4350/300	16/60	5/0.34	#8 SAE	0.98/25	2.72/69
P562308	CV-04S-65	4350/300	16/60	65/4.5	#8 SAE	0.98/25	2.72/69
P562309	CV-06P-5	4350/300	25/94	5/0.34	3/4" NPT	1.38/35	3.48/88
P562311	CV-06P-65	4350/300	25/94	65/4.5	3/4" NPT	1.38/35	3.48/88
P562312	CV-06S-5	4350/300	25/94	5/0.34	#12 SAE	1.38/35	3.48/88
P562313	CV-06S-65	4350/300	25/94	65/4.5	#12 SAE	1.38/35	3.48/88
P562314	CV-08P-5	4350/300	45/169	5/0.34	1" NPT	1.61/41	4.33/110
P562316	CV-08P-65	4350/300	45/169	65/4.5	1" NPT	1.61/41	4.33/110
P562317	CV-08S-5	4350/300	45/169	5/0.34	#16 SAE	1.61/41	4.33/110
P563307	CV-08S-65	4350/300	45/169	65/4.5	#16 SAE	1.61/41	4.33/110
P562319	CV-10P-5	4350/300	95/357	5/0.34	1-1/4" NPT	2.16/55	4.72/120
P562320	CV-10P-65	4350/300	95/357	65/4.5	1-1/4" NPT	2.16/55	4.72/120
P562321	CV-10S-5	4350/300	95/357	5/0.34	#20 SAE	2.16/55	4.72/120
P562322	CV-10S-65	4350/300	95/357	65/4.5	#20 SAE	2.16/55	4.72/120
P562323	CV-12P-5	4350/300	130/489	5/0.34	1-1/2" NPT	2.56/65	5.43/138
P562324	CV-12P-65	4350/300	130/489	65/4.5	1-1/2" NPT	2.56/65	5.43/138
P562325	CV-12S-5	4350/300	130/489	5/0.34	#24 SAE	2.56/65	5.43/138
P562326	CV-12S-65	4350/300	130/489	65/4.5	#24 SAE	2.56/65	5.43/138
P562327	CV-16P-5	2900/200	200/752	5/0.34	2" NPT	2.56/65	5.43/138
P562328	CV-16P-65	2900/200	200/752	65/4.5	2" NPT	2.56/65	5.43/138



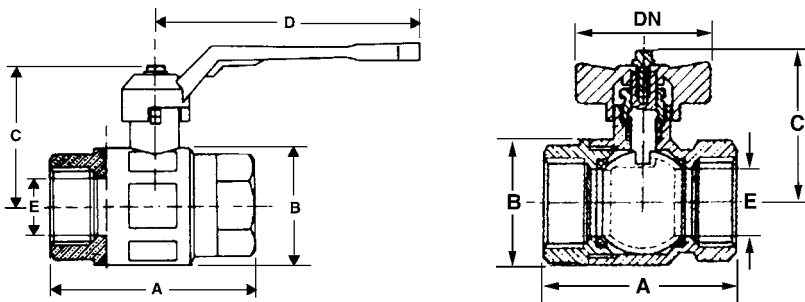


## Ball Valves - Low Pressure

### Specifications

- Hot pressed brass body and ball OT 58
- Materials (ball and body): BV Series chromium plated
- Steel handle
- Teflon® seals (ball and stem)

Teflon® is a registered trademark of E. I. DuPont de Nemours and Company.



### Features

Low pressure ball valves are rated for water, oil or gas (WOG) applications. Two-way/two-position, quarter turn operation. Full-ported sizes from 1/4" to 2" NPT. T-handle available on some models. Suitable for temperatures from -22°F to 350°F (-30°C to 162°C).

### Ball Valve Options

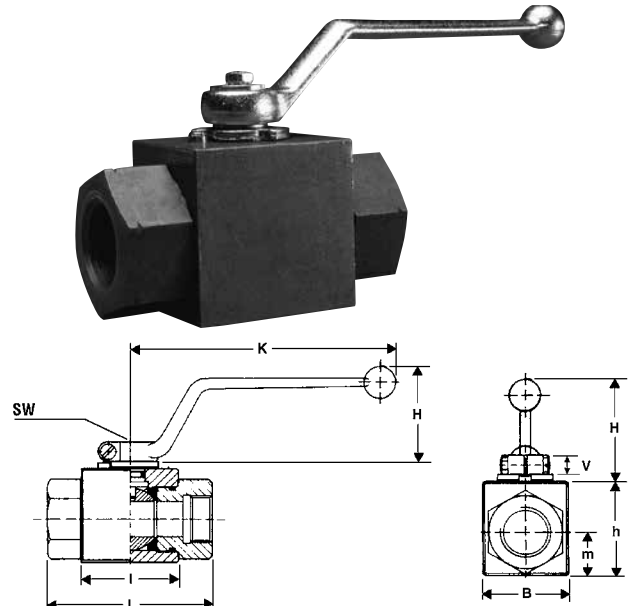
Part No.	Description	Max. Working Pressure (psi/bar)	Port Thread	Dimensions (in/mm)				
				A	B	C	D	E
P562331	BV-04-N	710/49	1/4" NPT	1.89/48	0.98/25	1.69/43	3.15/80	0.40/10
P562333	BV-06-N	710/49	3/8" NPT	1.89/48	0.98/25	1.69/43	3.15/80	0.40/10
P562336	BV-08-N	710/49	1/2" NPT	2.00/51	1.22/31	1.77/45	3.15/80	0.60/15
P563311	BV-12-N	570/39	3/4" NPT	2.24/57	1.46/37	2.36/60	4.44/113	0.80/20
P562338	BV-16-N	570/39	1" NPT	2.75/70	1.81/46	2.48/63	4.44/113	1.00/25
P562339	BV-20-N	430/30	1-1/4" NPT	3.15/80	2.24/57	3.11/79	5.43/138	1.25/32
P562341	BV-24-N	430/30	1-1/2" NPT	3.66/93	2.75/70	3.27/83	5.43/138	1.57/40
P562343	BV-32-N	360/25	2" NPT	4.41/112	3.31/84	3.94/100	6.22/158	1.97/50
P562345	BV-40-N	260/18	2-1/2" NPT	5.31/135	3.82/97	3.98/101	7.75/197	2.12/54
P562346	BV-48-N	230/16	3" NPT	6.25/159	4.80/122	5.08/129	9.84/250	2.56/65



## Ball Valves - Medium/High Pressure

### Specifications

- Steel body
- Brass ball with chrome plating (MBV-04 thru MBV-16)
- Steel ball with chrome plating (HBV, MBV-20 thru MBV-32)
- Steel zinc stem (MBV)
- Delrin ball seal
- Stem seal: Nitrile (MBV); fluorocarbon (HBV)
- Aluminum handles on HBV larger sizes



### Features

Medium duty (MBV) and high pressure (HBV) ball valves are compatible with petroleum-based fluids. Two-way, two-position valves are suited for on/off control. Optional locking tabs provide added safety. Valves come standard with bent handles; straight handles are available for some models. Operating temperatures from -22°F to 212°F / -30°C to 100°C.

### Medium Duty Ball Valves - MBV

Part No.	Description	Port Thread	Pressure (psi/bar)	Dimensions (in/mm)								
				L	I	B	H	h	m	V	SW	K
P562387	MBV-04-N	1/4" NPT	7250/500	2.7/69	1.4/36	1.0/26	1.7/43	1.3/32	0.5/12.5	0.4/11	0.4/9	4.6/118
P562388	MBV-04-S	7/16"-20 SAE	7250/500	2.7/69	1.4/36	1.0/26	1.7/43	1.3/32	0.5/12.5	0.4/11	0.4/9	4.6/118
P563308	MBV-06-N	3/8" NPT	7250/500	3.1/79	1.7/43	1.3/32	1.7/43	1.5/38	0.7/17.5	0.4/11	0.4/9	4.6/118
P562389	MBV-06-S	9/16"-18 SAE	7250/500	3.1/79	1.7/43	1.3/32	1.7/43	1.5/38	0.7/17.5	0.4/11	0.4/9	4.6/118
P562390	MBV-08-N	1/2" NPT	7250/500	4.1/104	1.9/48	1.4/35	1.7/43	1.6/40	0.75/19	0.4/11	0.4/9	4.6/118
P563309	MBV-08-S	3/4"-16 SAE	7250/500	4.1/104	1.9/48	1.4/35	1.7/43	1.6/40	0.75/19	0.4/11	0.4/9	4.6/118
P562391	MBV-12-N	3/4" NPT	5800/400	4.3/109	2.4/62	1.9/49	2.3/58	2.2/57	1.0/24.5	0.6/14	0.6/14	7.2/182
P562392	MBV-12-S	1-1/16"-12 SAE	5800/400	4.3/109	2.4/62	1.9/49	2.3/58	2.2/57	1.0/24.5	0.6/14	0.6/14	7.2/182
P562394	MBV-16-N	1" NPT	4500/310	4.6/117	2.6/66	2.3/58	2.3/58	2.6/65	1.2/29.5	0.6/14	0.6/14	7.2/182
P562395	MBV-16-S	1-5/16"-12 SAE	4500/310	4.6/117	2.6/66	2.3/58	2.3/58	2.6/65	1.2/29.5	0.6/14	0.6/14	7.2/182
P562396	MBV-20-N	1-1/4" NPT	4500/310	4.3/110	3.2/80	3.0/76	2.3/58	3.3/84	1.5/38	0.6/15	0.7/17	8.5/218
P562397	MBV-20-S	1-5/8"-12 SAE	4500/310	4.3/110	3.2/80	3.0/76	2.3/58	3.3/84	1.5/38	0.6/15	0.7/17	8.5/218
P562398	MBV-24-N	1-1/2" NPT	3625/250	5.1/130	3.3/85	3.6/92	2.3/58	3.9/99	1.8/46	0.6/15	0.7/17	8.5/218
P563310	MBV-24-S	1-7/8"-12 SAE	3625/250	5.1/130	3.3/85	3.6/92	2.3/58	3.9/99	1.8/46	0.6/15	0.7/17	8.5/218
P562399	MBV-32-N	2" NPT	3625/250	5.5/140	3.9/100	4.2/106	2.3/58	4.4/111	2.1/53	0.6/15	0.7/17	8.5/218

# High Pressure Ball Valves

## High Pressure Ball Valve Options

Part No.	Description	Port Thread	Pressure (psi/bar)	Dimensions (in/mm)								
				L	I	B	H	h	m	V	SW	K
P562356	HBV-04-N	1/4" NPT	7250/500	2.7/69	1.4/36	1.0/26	1.7/43	1.3/32	0.5/12.5	0.4/11	0.4/9	4.6/118
P562357	HBV-04-S	7/16"-20 SAE	7250/500	2.7/69	1.4/36	1.0/26	1.7/43	1.3/32	0.5/12.5	0.4/11	0.4/9	4.6/118
P562358	HBV-06-N	3/8" NPT	7250/500	3.1/79	1.7/43	1.3/32	1.7/43	1.5/38	0.7/17.5	0.4/11	0.4/9	4.6/118
P562359	HBV-06-S	9/16"-18 SAE	7250/500	3.1/79	1.7/43	1.3/32	1.7/43	1.5/38	0.7/17.5	0.4/11	0.4/9	4.6/118
P562360	HBV-08-N	1/2" NPT	7250/500	4.1/104	1.9/48	1.4/35	1.7/43	1.6/40	0.75/19	0.4/11	0.4/9	4.6/118
P562361	HBV-08-S	3/4"-16 SAE	7250/500	4.1/104	1.9/48	1.4/35	1.7/43	1.6/40	0.75/19	0.4/11	0.4/9	4.6/118
P562362	HBV-12-N	3/4" NPT	5800/400	4.3/109	2.4/62	1.9/49	2.3/58	2.2/57	1.0/24.5	0.6/14	0.6/14	7.2/182
P562363	HBV-12-S	1-1/16"-12 SAE	5800/400	4.3/109	2.4/62	1.9/49	2.3/58	2.2/57	1.0/24.5	0.6/14	0.6/14	7.2/182
P562364	HBV-16-N	1" NPT	4500/310	4.6/117	2.6/66	2.3/58	2.3/58	2.6/65	1.2/29.5	0.6/14	0.6/14	7.2/182
P562365	HBV-16-S	1-5/16"-12 SAE	4500/310	4.6/117	2.6/66	2.3/58	2.3/58	2.6/65	1.2/29.5	0.6/14	0.6/14	7.2/182
P562368	HBV-20-N	1-1/4" NPT	4500/310	4.3/110	3.2/80	3.0/76	2.3/58	3.3/84	1.5/38	0.6/15	0.7/17	8.5/218
P562369	HBV-20-S	1-5/8"-12 SAE	4500/310	4.3/110	3.2/80	3.0/76	2.3/58	3.3/84	1.5/38	0.6/15	0.7/17	8.5/218

## Replacement Parts for High Pressure Ball Valves

Part No.	Description	Style	Valve Size
<b>Handles</b>			
P562376	HBVH-040608	Bent Handle	04, 06, 08
P562377	HBVH-1216	Bent Handle	12, 16
P562378	HBVH-202432	Bent Handle	20, 24, 32

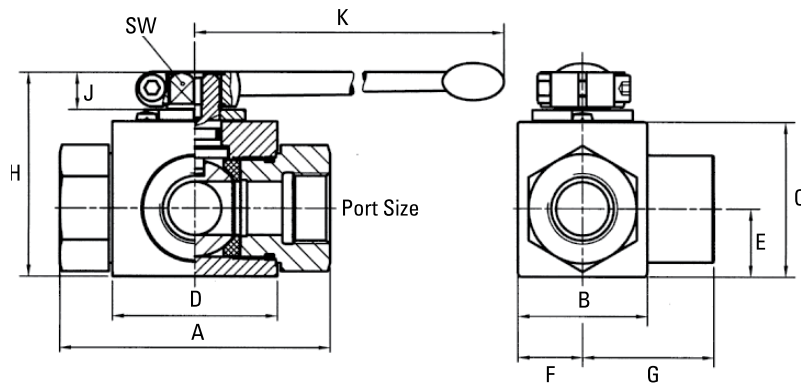
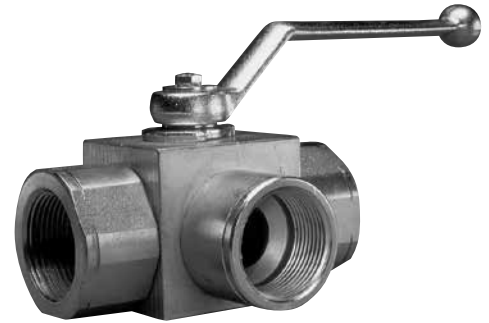
Part No.	Description	Valve Size
<b>Seal Kit</b>		
P562379	HBV-SK-04	04
P562380	HBV-SK-06	06
P562629	HBV-SK-08	08
P562630	HBV-SK-12	12
P562381	HBV-SK-16	16
P562382	HBV-SK-20	20



# Three-Way Selector Ball Valve

## Specifications

- Maximum pressure  
7250 psi / 500 bar
- Steel construction
- Operating temperature  
-22°F to 212°F / -30°C to 100°C

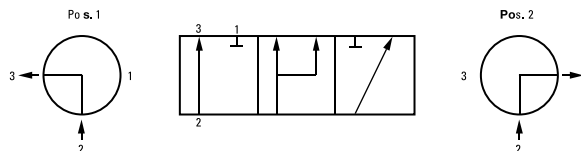


Part No.	Reference	Port Size	Max Pressure	Dimensions (in/mm)										
				A	B	C	D	E	F	G	H	J	K	SW
P562342	3W-HBV-08-N	1/2" NPT	7250 psi	4.09	1.50	1.57	1.89	0.75	0.69	1.63	2.13	0.43	4.53	0.3
			50000 kPa	104	38	40	48	19	17.5	41.5	54	11	115	9
P562344	3W-HBV-12-N	3/4" NPT	4500 psi	4.02	2.05	2.24	2.44	0.96	0.96	1.87	2.95	0.55	7.87	0.55
			31028 kPa	102	52	57	62	24.5	24.5	47.5	75	14	200	14
P562404	3W-HBV-16-N	1" NPT	4500 psi	4.69	2.40	2.56	2.60	1.16	1.14	2.22	3.27	0.55	7.87	0.55
			31028 kPa	119	61	65	66	29.5	29	56.5	83	14	200	14
P562405	3W-HBV-16-S	SAE-16	4500 psi	4.72	2.80	3.33	3.19	1.54	1.54	2.36	4.17	0.65	12.60	0.67
			31028 kPa	120	71	84.5	81	39	39	60	106	16.5	320	17
P562406	3W-HBV-20-N	1-1/4" NPT	5000psi	4.72	2.80	3.33	3.19	1.54	1.54	2.36	4.17	0.65	12.60	0.67
			34500 kPa	120	71	84.5	81	39	39	60	106	16.5	320	17

### Operation:

Open cross-over (no zero position)

Pressure inlet only from port 2



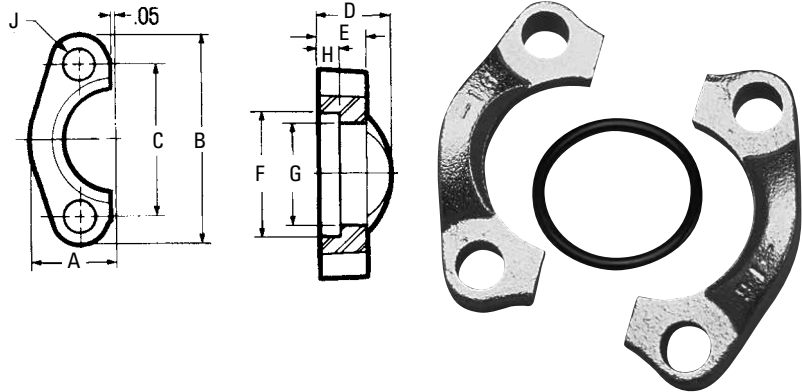
## Split Flanges

### Specifications

- Code 61 and Code 62
- Nitrile O-Ring

Each kit includes:

- 2 split flange halves
- 4 hex head mounting bolts and lock washers
- 1 Nitrile O-Ring



### Code 61

Part No.	Reference	Flange Size	Dimensions (in/mm)									Mounting Hardware		Max. Working Pressure
			A	B	C	D	E	F	G	H	J (Dia.)	O-Ring	Hex Head Cap Screw	
P563042	L-12SF-3	0.75	0.98	2.56	1.875	0.88	0.56	1.531	1.265	0.245	0.406	-214	3/8"-16x11/4	5000
		19	25	65	48	22	14	39	32	6	10			34500kPa
P563044	L-16SF-3	1.00	1.11	2.75	2.062	0.94	0.62	1.781	1.515	0.295	0.406	-219	3/8"-16x11/4	5000
		25	28	70	52	24	16	45	38	7	10			34500kPa
P563047	L-20SF-3	1.25	1.39	3.12	2.312	0.88	0.56	2.031	1.720	0.295	0.469	-222	7/16"-14x11/2	4000 psi
		32	35	79	59	22	14	52	44	7	12			27580 kPa
P563050	L-24SF-3	1.50	1.58	3.69	2.750	1.00	0.62	2.406	2.000	0.295	0.531	-225	1/2"-13x11/2	3000 psi
		38	40	94	70	25	16	61	51	8	13			20685 kPa
P563053	L-32SF-3	2.00	1.86	4.00	3.062	1.03	0.62	2.844	2.470	0.355	0.531	-228	1/2"-13x11/2	3000 psi
		51	47	102	78	26	16	72	63	9	13			20685 kPa
P563056	L-40SF-3	2.50	2.09	4.50	3.500	1.50	0.75	3.344	2.950	0.355	0.531	-232	1/2"-13x13/4	2500 psi
		64	53	114	89	38	19	85	75	9	13			17240 kPa

### Code 62 Mounting Hardware

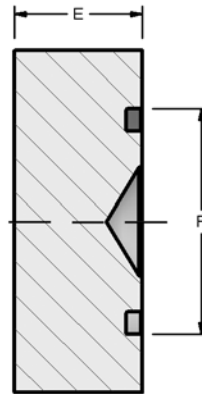
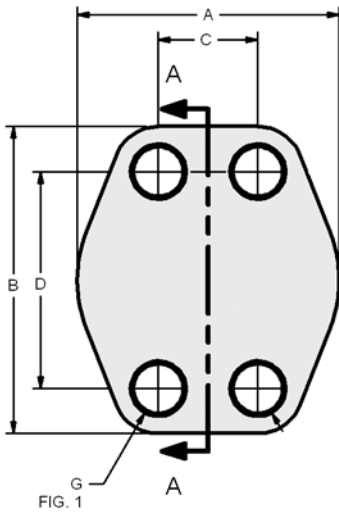
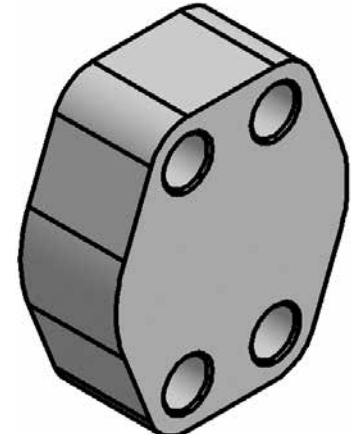
Part No.	Reference	Flange Size	Dimensions (in/mm)									Mounting Hardware		Max. Working Pressure
			A	B	C	D	E	F	G	H	J (Dia.)	O-Ring	Hex Head Cap Screw	
P563046	L-16SFX-6	1.00	1.33	3.19	2.250	1.31	0.94	1.906	1.530	0.355	0.469	-219	7/16"-14x13/4	6000 psi
		25	34	81	57	33	24	48	39	9	12			41370kPa
P563049	L-20SFX-6	1.25	1.48	3.75	2.625	1.50	1.06	2.156	1.750	0.385	0.531	-222	1/2"-13x13/4	6000 psi
		32	38	95	67	38	27	55	44	10	13			41370kPa
P563051	L-24SFX-6	1.50	1.83	4.44	3.125	1.69	1.19	2.531	2.030	0.475	0.656	-225	5/8"-11x21/4	6000 psi
		38	46	113	79	43	30	64	52	12	17			41370kPa
P563054	L-32SFX-6	2.00	2.20	5.25	3.812	2.06	1.44	3.156	2.660	0.475	0.781	-228	3/4"-10x23/4	6000 psi
		51	56	133	97	52	37	80	68	12	20			41370kPa



# Blanking Flanges

## Specifications

- Code 61 and 62
- O-Ring



## Blanking Flanges, Code 61

Part No.	Reference	Pad Size	Dimensions (in/mm)							Mounting Hardware	
			A	B	C	D	E	F	G	O-Ring	SHCS
P563061	LIB-16-16-30	1"/25mm	2.313/59	2.750/70	1.031/26	2.063/52	0.88/22	1.560/40	0.406/10	-219	3/8"-16x1.75
P563063	LIB-20-20-30	1-1/4"/32mm	2.875/73	3.125/79	1.188/30	2.313/59	0.94/24	1.750/44	0.469/12	-222	7/16"-14x1.75
P563065	LIB-24-24-30	1-1/2"/38mm	3.250/83	3.688/94	1.406/36	2.750/70	1.19/30	2.115/54	0.531/13	-225	1/2"-13x2.25
P563067	LIB-32-32-30	2"/51mm	3.813/97	4.000/102	1.688/43	3.063/78	1.44/37	2.490/63	0.531/13	-228	1/2"-13x2.50

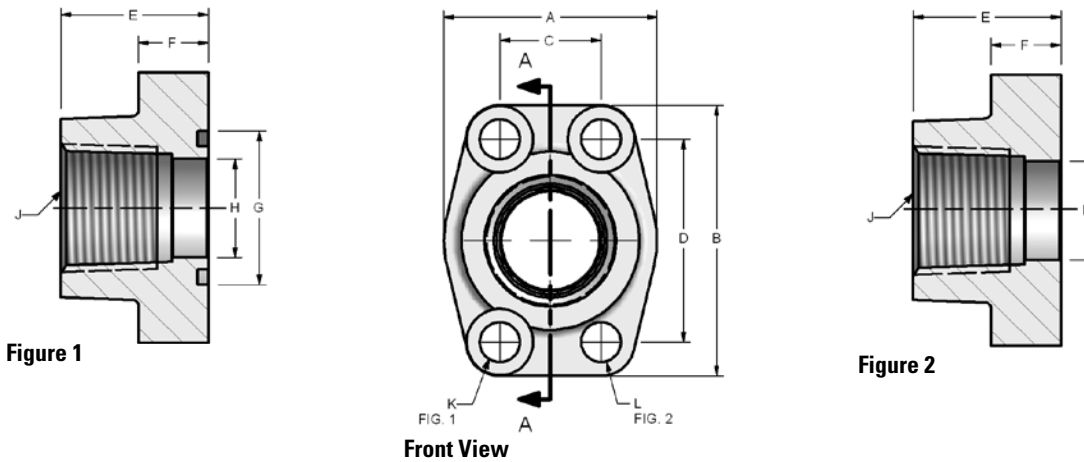
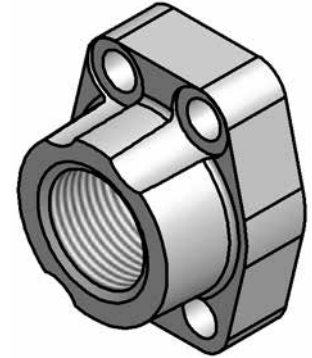
## Blanking Flanges, Code 62

Part No.	Reference	Pad Size	Dimensions (in/mm)							Mounting Hardware	
			A	B	C	D	E	F	G	O-Ring	SHCS
P563064	LIB-20-20-60	1-1/4"/32mm	3.060/78	3.750/95	1.250/32	2.625/67	1.43/36	1.750/44	0.531/13	-222	1/2"-13x2.50

## 4-Bolt NPTF Threaded Flange

### Specifications

- Code 61 and 62
- NPT Thread
- Nitrile O-Ring
- Mounting hardware and O-Ring included on O-Ring models
- Maximum temperature with O-Ring 250°F / 121°C



### Code 61 NPTF Thread, O-Ring (Figure 1)

Part No.	Description	Port Size	Pad Size	Dimensions (in/mm)								J NPTF	K (dia.) Drill	Mounting Hardware	
				A	B	C	D	E	F	G	H			O-Ring	SHCS
P563088	LI-12-12P-30	0.75	0.75	1.97	2.56	0.875	1.875	1.42	0.71	1.250	0.752	3/4"-14	0.406	-214	3/8"-16 x 1.25
		19	19	50	65	22	48	36	18	32	19		10		
P563093	LI-16-16P-30	1.00	1.00	2.17	2.75	1.031	2.062	1.50	0.71	1.560	1.002	1"-11.5	0.406	-219	3/8"-16 x 1.50
		25	25	55	70	26	52	38	18	40	25		10		
P563100	LI-20-20P-30	1.25	1.25	2.68	3.12	1.188	2.312	1.61	0.83	1.750	1.252	1-1/4"-11.5	0.469	-222	7/16"-14 x 1.50
		32	32	68	79	30	59	41	21	44	32		12		
P563107	LI-24-24P-30	1.50	1.50	3.07	3.66	1.406	2.750	1.77	0.98	2.115	1.502	1-1/2"-11.5	0.531	-225	1/2"-13 x 1.75
		38	38	78	93	36	70	45	25	54	38		13		
P563113	LI-32-32P-30	2.00	2.00	3.54	4.00	1.688	3.062	1.77	0.98	2.490	2.002	2"-11.5	0.531	-228	1/2"-13 x 1.75
		51	51	90	102	43	78	45	25	63	51		13		
P563117	LI-40-40P-30	2.50	2.50	4.09	4.49	2.000	3.500	1.97	0.98	2.995	2.502	2-1/2"-8	0.531	-232	1/2"-13 x 2.25
		64	64	104	114	51	89	50	25	76	64		13		
P563118	LI-48-48P-30	3.00	3.00	4.88	5.28	2.438	4.188	1.97	1.06	3.615	3.002	3"-8	0.656	-237	5/8"-11 x 2.50
		76	76	124	134	62	106	50	27	92	76		17		





## 4-Bolt NPTF Threaded Flange

### Code 61 NPTF Thread, Flat Face (Figure 2)

Part No.	Description	Port Size	Pad Size	Dimensions (in/mm)								L Tap	
				A	B	C	D	E	F	G	H	J NPTF	UNC-2B
P563163	LIC-16-16P-30	1.00	1.00	2.17	2.75	1.031	2.062	1.50	0.71	1.560	1.002	1"-11.5	3/8"-16
		25	25	55	70	26	52	38	18	40	25		
P563166	LIC-20-20P-30	1.25	1.25	2.68	3.12	1.188	2.312	1.61	0.83	1.750	1.252	1-1/4"-11.5	7/16"-14
		32	32	68	79	30	59	41	21	44	32		
P563171	LIC-32-32P-30	2.00	2.00	3.54	4.00	1.688	3.062	1.77	0.98	2.490	2.002	2"-11.5	1/2"-13
		51	51	90	102	43	78	45	25	63	51		

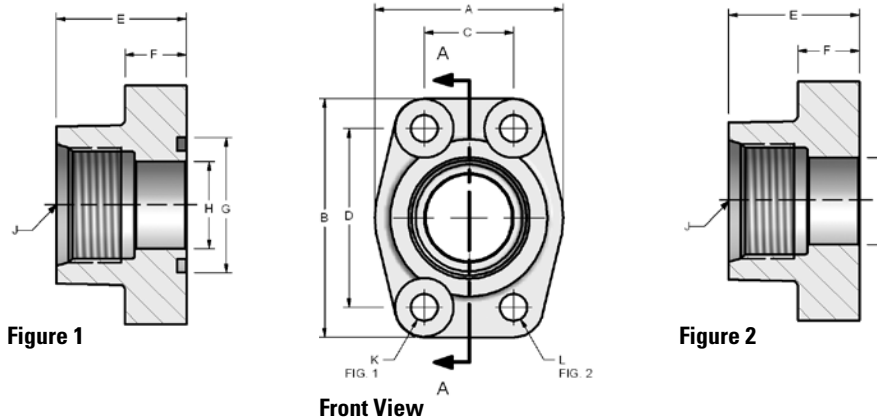
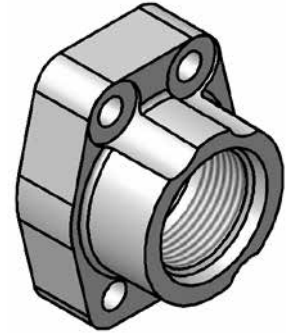
### Code 62 NPTF Thread, O-Ring (Figure 1)

Part No.	Description	Port Size	Pad Size	Dimensions (in/mm)								K (dia.)	Mounting Hardware		
				A	B	C	D	E	F	G	H	J NPTF	Drill	O-Ring	SHCS
P563094	LI-16-16P-60	1.00	1.00	2.56	3.19	1.093	2.250	1.65	0.98	1.560	1.002	1-11.5	0.492	-219	7/16"-14 x 1.50
		25	25	65	81	28	57	42	25	40	25		12		
P563101	LI-20-20P-60	1.25	1.25	3.07	3.75	1.250	2.625	1.77	1.06	1.750	1.252	1-1/4-11.5	0.531	-222	1/2"-13 x 1.50
		32	32	78	95	32	67	45	27	44	32		13		
P563108	LI-24-24P-60	1.50	1.50	3.70	4.41	1.437	3.125	1.97	1.18	2.115	1.502	1-1/2-11.5	0.656	-225	5/8"-11 x 1.75
		38	38	94	112	36	79	50	30	54	38		17		

## 4-Bolt SAE Threaded Flange

### Specifications

- Code 61 and 62
- SAE Straight Thread
- Nitrile O-Ring
- Mounting hardware and O-Ring included on O-Ring models
- Maximum temperature with O-Ring 250°F / 121°C



### Code 61 Straight Thread, O-Ring (Figure 1)

Part No.	Reference	Port Size	Pad Size	Dimensions (in/mm)								J UN/ UNF-2B	K (Dia.) Drill	Mounting Hardware	
				A	B	C	D	E	F	G	H			O-Ring	SHCS
P563090	LI-12-12S-30	0.75/19	0.75/19	1.97/50	2.56/65	0.875/22	1.875/48	1.42/36	0.71/18	1.250/32	0.752/19	1 1/16"-12	0.406/10	-214	3/8"-16 x 1.25
P563095	LI-16-16S-30	1.00/25	1.0/25	2.17/55	2.75/70	1.031/26	2.062/52	1.50/38	0.71/18	1.560/40	1.002/25	1 5/16"-12	0.406/10	-219	3/8"-16 x 1.50
P563102	LI-20-20S-30	1.25/32	1.25/32	2.68/68	3.12/79	1.188/30	2.312/59	1.61/41	0.83/21	1.750/44	1.252/32	1 5/8"-12	0.469/12	-222	7/16"-14 x 1.50
P563109	LI-24-24S-30	1.50/38	1.50/38	3.07/78	3.66/93	1.406/36	2.750/70	1.77/45	0.98/25	2.115/54	1.502/38	1 7/8"-12	0.531/13	-225	1/2"-13 x 1.75
P563115	LI-32-32S-30	2.00/51	2.00/51	3.54/90	4.00/102	1.688/43	3.062/78	1.77/45	0.98/25	2.490/63	2.002/51	2 1/2"-12	0.531/13	-228	1/2"-13 x 1.75

### Code 61 Straight Thread, Flat Face (Figure 2)

Part No.	Reference	Port Size	Pad Size	Dimensions (in/mm)								J UN/ UNF-2B	L Tap UNC-2B
				A	B	C	D	E	F	G	H		
P563162	LIC-12-12S-30	0.75/19	0.75/19	1.97/50	2.56/65	0.875/22	1.875/48	1.42/36	0.71/18	1.250/32	0.752/19	1 1/16"-12	3/8"-16
P563165	LIC-16-16S-30	1.00/25	1.00/25	2.17/55	2.75/70	1.031/26	2.062/52	1.50/38	0.71/18	1.560/40	1.002/25	1 5/16"-12	3/8"-16
P563168	LIC-20-20S-30	1.25/32	1.25/32	2.68/68	3.12/79	1.188/30	2.312/59	1.61/41	0.83/21	1.750/44	1.252/32	1 5/8"-12	7/16"-14

### Code 62 Straight Thread, O-Ring (Figure 1)

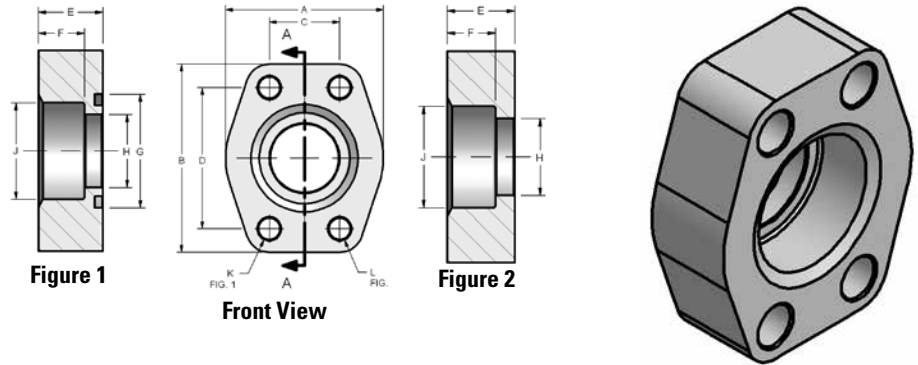
Part No.	Reference	Port Size	Pad Size	Dimensions (in/mm)								J UN/ UNF-2B	K (Dia.) Drill	Mounting Hardware	
				A	B	C	D	E	F	G	H			O-Ring	SHCS
P563096	LI-16-16S-60	1.00/25	1.00/25	2.56/65	3.19/81	1.093/28	2.250/57	1.65/42	0.98/25	1.560/40	1.002/25	1 5/16"-12	0.492/12	-219	7/16"-14 x 1.50
P563103	LI-20-20S-60	1.25/32	1.25/32	3.07/78	3.75/95	1.250/32	2.625/67	1.77/45	1.06/27	1.750/44	1.252/32	1 5/8"-12	0.531/13	-222	1/2"-13 x 1.75
P563110	LI-24-24S-60	1.50/38	1.50/38	3.70/94	4.41/112	1.437/36	3.125/79	1.97/50	1.18/30	2.115/54	1.502/38	1 7/8"-12	0.656/17	-225	5/8"-11 x 2.25



# Flat Socket Weld Flange

## Specifications

- Code 61 and 62



### Code 61, O-Ring (Figure 1)

Part No.	Desc.	Pipe Size	Pad Size	Dimensions (in/mm)										Mounting Hardware	
				A	B	C	D	E	F	G	H	J	K	O-Ring	SHCS
P563119	LI-08-08W-30	0.50/13	0.50/13	1.813/46	2.125/54	0.688/17	1.500/38	0.75/19	0.560/14	1.000/25	0.502/13	0.855/22	0.344/9	-210	5/16"-18x1.5
P563120	LI-12-12W-30	0.75/19	0.75/19	2.063/52	2.563/65	0.875/22	1.875/48	0.75/19	0.560/14	1.250/32	0.752/19	1.062/27	0.406/10	-214	3/8"-16x1.5
P563121	LI-16-16W-30	1.00/25	1.00/25	2.313/59	2.750/70	1.031/26	2.063/52	0.88/22	0.630/16	1.560/40	1.002/25	1.328/34	0.406/10	-219	3/8"-16x1.75
P563122	LI-20-20W-30	1.25/32	1.25/32	2.875/73	3.125/79	1.188/30	2.313/59	0.94/24	0.690/18	1.750/44	1.252/32	1.672/42	0.469/12	-222	7/16"-14x1.75
P563123	LI-24-24W-30	1.50/38	1.50/38	3.250/83	3.688/94	1.406/36	2.750/70	1.19/30	0.750/19	2.115/54	1.502/38	1.922/49	0.531/13	-225	1/2"-13x2.25
P563124	LI-32-32W-30	2.00/51	2.00/51	3.813/97	4.000/102	1.688/43	3.063/78	1.38/35	0.875/22	2.495/63	2.002/51	2.406/61	0.531/13	-228	1/2"-13x2.5
P563127	LI-48-48W-30	3.00/76	3.00/76	5.156/131	5.313/135	2.438/62	4.188/106	2.12/54	1.250/32	3.615/92	3.002/76	3.547/90	0.656/17	-237	5/8"-11x3.5

### Code 61, Flat Face (Figure 2)

Part No.	Desc.	Pipe Size	Pad Size	Dimensions (in/mm)										L
				A	B	C	D	E	F	G	H	J	UNC-2B	
P563176	LIC-12-12W-30	0.75/19	0.75/19	2.063/52	2.563/65	0.875/22	1.875/48	0.75/19	0.560/14	1.250/32	0.752/19	1.062/27	3/8"-16	
P563177	LIC-16-16W-30	1.00/25	1.00/25	2.313/59	2.750/70	1.031/26	2.063/52	0.88/22	0.630/16	1.560/40	1.002/25	1.328/34	3/8"-16	
P563178	LIC-20-20W-30	1.25/32	1.25/32	2.875/73	3.125/79	1.188/30	2.313/59	0.94/24	0.690/18	1.750/44	1.252/32	1.672/42	7/16"-14	
P563179	LIC-24-24W-30	1.50/38	1.50/38	3.250/83	3.688/94	1.406/36	2.750/70	1.19/30	0.750/19	2.115/54	1.502/38	1.922/49	1/2"-13	
P563180	LIC-32-32W-30	2.00/51	2.00/51	3.813/97	4.000/102	1.688/43	3.063/78	1.38/35	0.875/22	2.490/63	2.002/51	2.406/61	1/2"-13	
P563181	LIC-40-40W-30	2.50/64	2.50/64	4.281/109	4.500/114	2.000/51	3.500/89	1.75/44	1.000/25	2.995/76	2.502/64	2.906/74	1/2"-13	