

## DPK2400 In-Line Cartridge Filters

### Working Pressures to:

2400 psi / 16547 kPa / 165.4 bar

### Rated Static Burst to:

8000 psi / 55157 kPa / 552 bar

### Flow Range To:

100 gpm / 379 lpm

### Applications

- In-plant Systems
- Process Fluids
- Lube Oil Systems

### Features

DPK2400 duplex filter assemblies allow continuous filtration during filter servicing to avoid machine shutdown. The DPK2400 duplex design combines durable iron heads and carbon steel housings for superior, high-strength performance. Choose between optional features such as no bypass, bypass valve, visual indicators or combination electrical/visual indicators for a customized assembly that best fits the needs of your specific application. Filter performance ranges from 5 $\mu$  to 25 $\mu$  at beta 1000 and high collapse elements are available at 5 $\mu$  and 27 $\mu$ , offering additional flexibility to achieve the filtration level your system requires.

- Head Material: Durable Iron
- Housing Material: Carbon Steel
- Optional visual and visual / electric indicators
- Self locking transfer valve
- Automatic bleed-over valve



### Beta Rating

- Performance to  $\beta_{5(\mu)}$  = 1000

### Porting Size Options

- 1-1/2" SAE 4-Bolt Flange Code 61

### Replacement Filter Lengths

- 14.62" / 371mm

### Standard Bypass Ratings

- 100 psi / 690 kPa / 6.9 bar
- No bypass

### Assembly Weight

- 98 lbs / 20 kg

### Operating Temperatures

- -40° to 250°F (-40° to 121°C)

### Filter Collapse Ratings

- 300 psid / 207 kPa / 20.7 bar (standard)
- 3045 psid / 2100 kPa / 210 bar (high collapse)



DPK2400

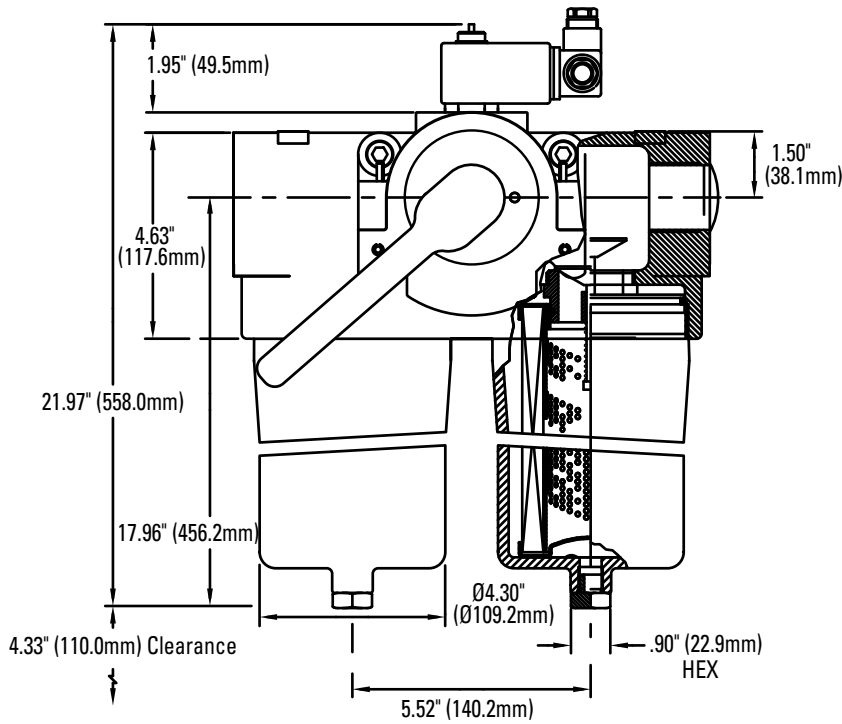
Max Flow: 100 gpm (379 lpm)



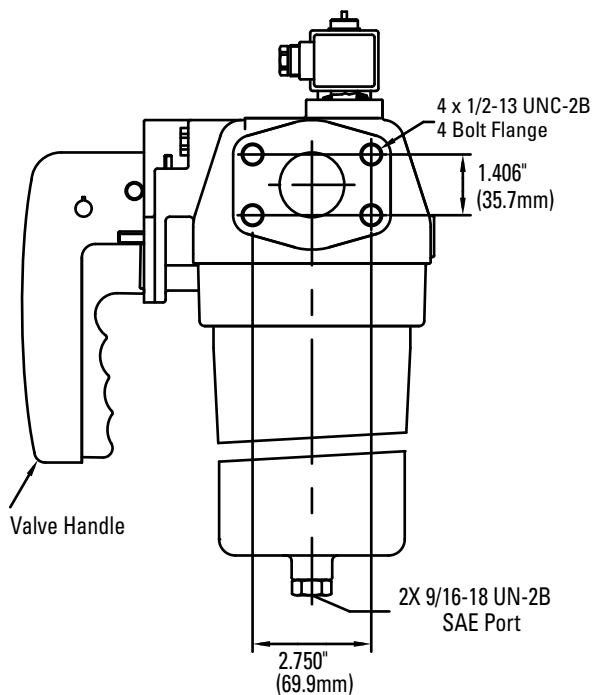
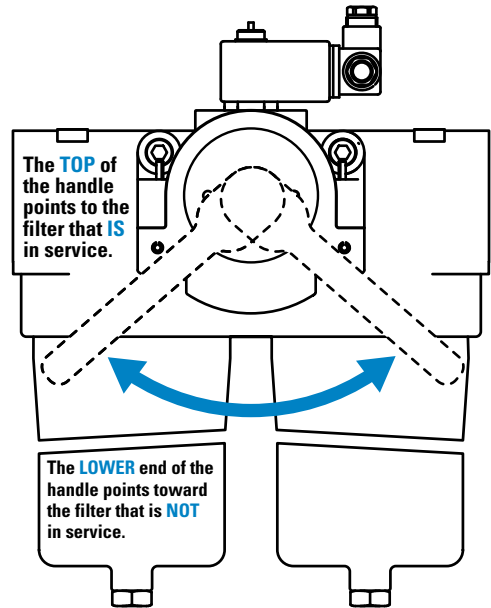
## DPK2400 Specification Illustrations

### ASSEMBLY - SIDE VIEW

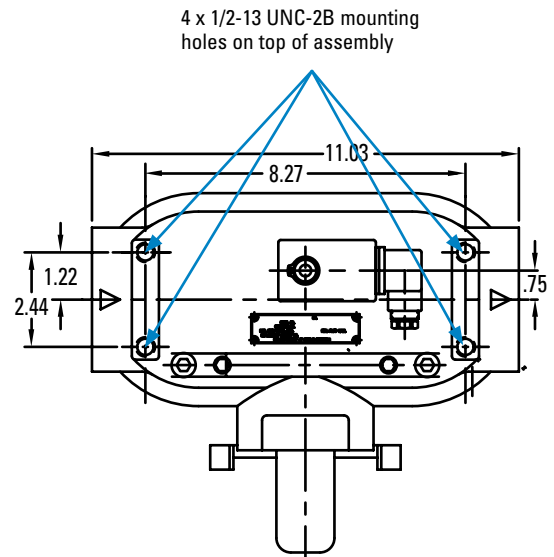
All dimensions are shown in inches [millimeters].



The handle shifts fluid flow from one filter to the other.



### HEAD - TOP VIEW



# DPK2400 Components

## Filter Choices

Media Type	$\beta_{x(c)} = 1000$	Length		Part No.	Comments
	Rating based on ISO 16889	in	mm		
DT Synthetic	5 $\mu\text{m}$	14.62	371	P567101	
	5 $\mu\text{m}$	14.69	373	P560716	High collapse
	8 $\mu\text{m}$	14.62	371	P567102	
	12 $\mu\text{m}$	14.62	371	P567103	
	23 $\mu\text{m}$	14.62	371	P567104	
	27 $\mu\text{m}$	14.69	373	P560718	High collapse

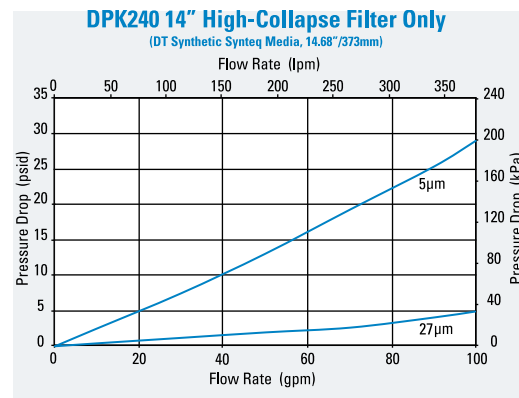
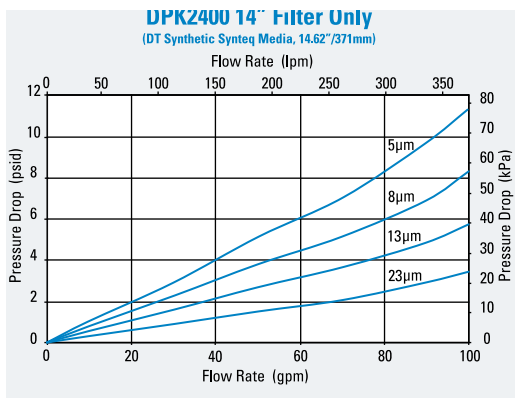
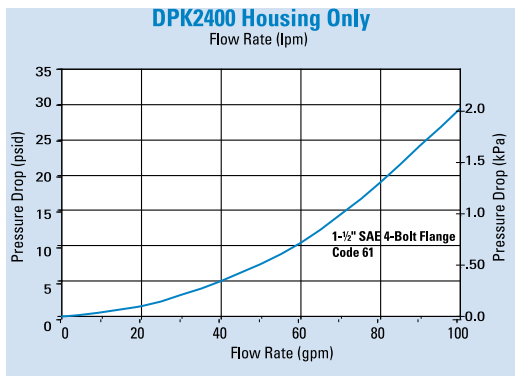
## Assembly Choices

Part No.	Port Connections	Bypass Valve	Comments
P577026	1-1/2" SAE 4-bolt flange code 61	No bypass	Filter elements not included with assembly.
P577027	1-1/2" SAE 4-bolt flange code 61	100 psi (6.9 bar) bypass	Filter elements not included with assembly.

## Service Indicator Choices

Use with Bypass Valve Pressure of:	Indicator Part No.	Seal Material	Connector Style
<b>Visual Models</b>			
100 psi / 690 kPa	P577030	Fluorocarbon seal	Manual reset
<b>Visual / Electric Models</b>			
100 psi / 690 kPa	P577031	Fluorocarbon seal	Hirschman

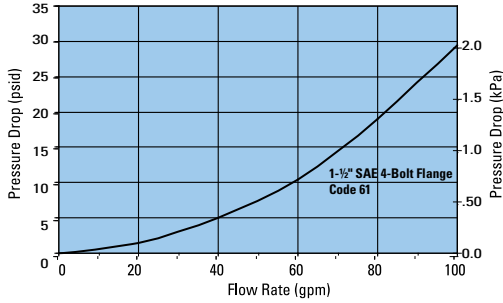
## Performance Data



## Performance Data

### DPK2400 Housing Only

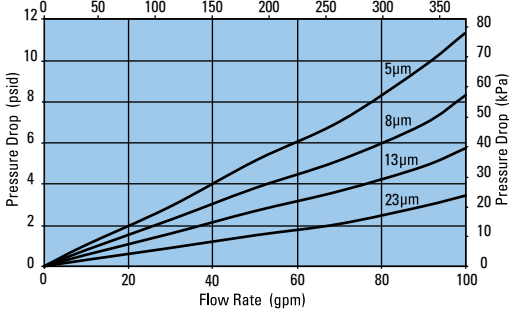
Flow Rate (lpm)



### DPK2400 14" Filter Only

(DT Synthetic Synteq Media, 14.62"/371mm)

Flow Rate (lpm)



### DPK240 14" High-Collapse Filter Only

(DT Synthetic Synteq Media, 14.68"/373mm)

Flow Rate (lpm)

