



## Mix&Match to Get What You Need

Donaldson's Mix&Match system provides the great performance and functional advantages of custom-engineered filters with the convenience and speedy delivery of in-stock parts. Choose your options and build a filter model that exactly suits your cleanliness requirements.

### Technical Data

- Operating pressure up to 12 MPa (120 bar).
- Static pressure testing up to 18 MPa (180 bar).
- Fatigue pressure of 2.000.000 cycles at 0-8 MPa (0-80 bar) per NFPA T 3.10.5 R2:2000.
- By-pass valve integrated in the head setting 600 kPa (6 bar) per ISO 3968.
- Operating temperature -20 +120°C.
- Compatibility with hydraulic fluids per ISO 2943.
- Flow rate and pressure drop determined per ISO 3968 with oil kinematic viscosity 30 cSt at 40°C and density 0,875 kg/dm<sup>3</sup>.
- Filter head in tempered aluminum.
- Aluminum bowl.

### Filter Elements

- Wire mesh: 30-60 micron.
- Cellulose media: 36 micron, reinforced with wire mesh.
- Synteq® synthetic media: 8-11-23 micron, reinforced with wire mesh.
- Collapse resistance 2 MPa (20 bar) per ISO 2941.

## Components



	WIRE MESH MEDIA				CELLULOSE MEDIA		SYNTHETIC MEDIA						CARTRIDGE CODE
	/6		/3M		/1		/03		XP10		XP5		
	60µm		30µm		$\beta_{36\mu m(c)} \geq 1000$		$\beta_{23\mu m(c)} \geq 1000$		$\beta_{11\mu m(c)} \geq 1000$		$\beta_{8\mu m(c)} \geq 1000$		
Family	RMF		RMF		RMF		RMF		RMF		RMF		
FM140	50	P171706	50	P171705	40	P171704	40	P171703	40	P171702	40	P171701	CM140
FM180	80	P171712	80	P171711	60	P171710	60	P171709	60	P171708	60	P171707	CM180

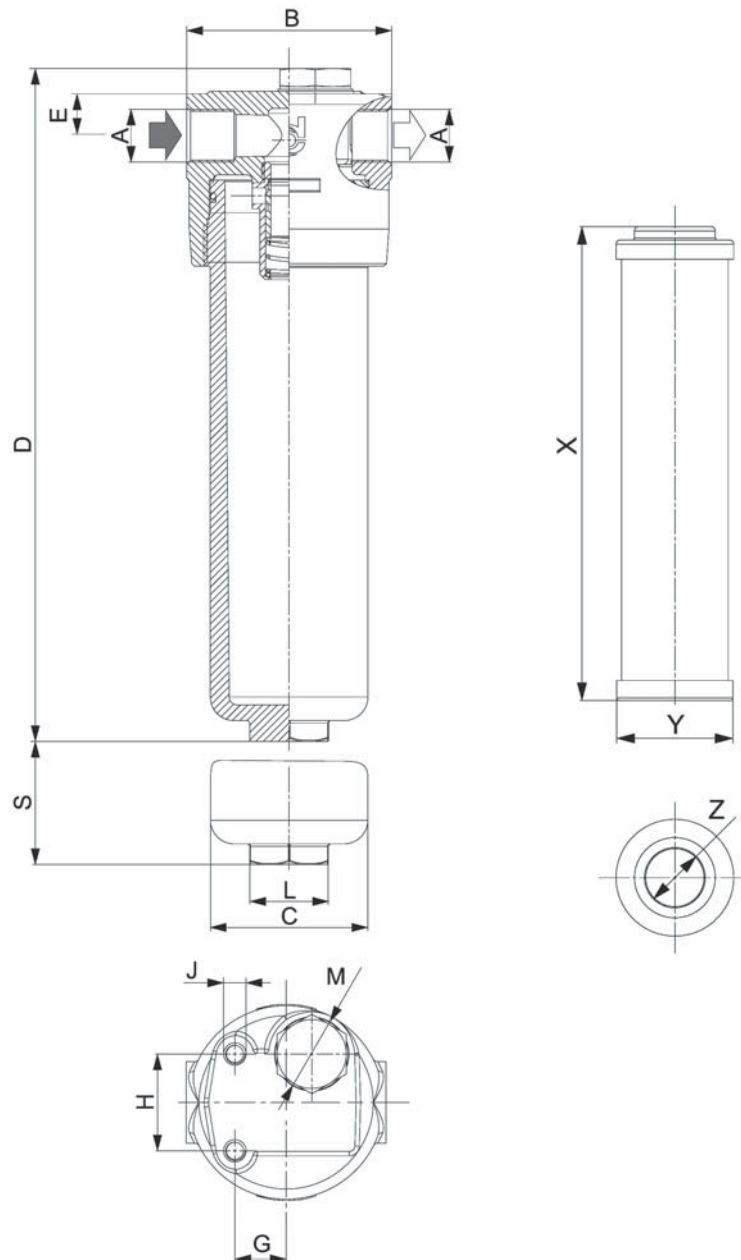
RMF = Recommended Maximum Flow in liters/minute with use of standard housing.

## Indicator Choices

Indicator	Kind		Reference Drawing	Setting (bar)	Contact	Protection Class	Cable Clamp	Max. Values	Remark
P171945	Visual	Differential	H	5					
P171947	Electrical	Differential	K	5	Normally Open/ Closed	IP65	PG11	250V AC; 30 V DC; 5A res. and ind.	
P171944	Electrical	Differential	K	5	Normally Open/ Closed	IP65	PG11	250V AC; 30 V DC; 5A res. and ind.	with thermostat at min. temperature at 30°C
P761056	Electrical	Differential	I	5	Normally Open/ Closed	IP65	PG11	30 V DC; 30 V AC; 0,5 A res. and 0,2 A ind.	

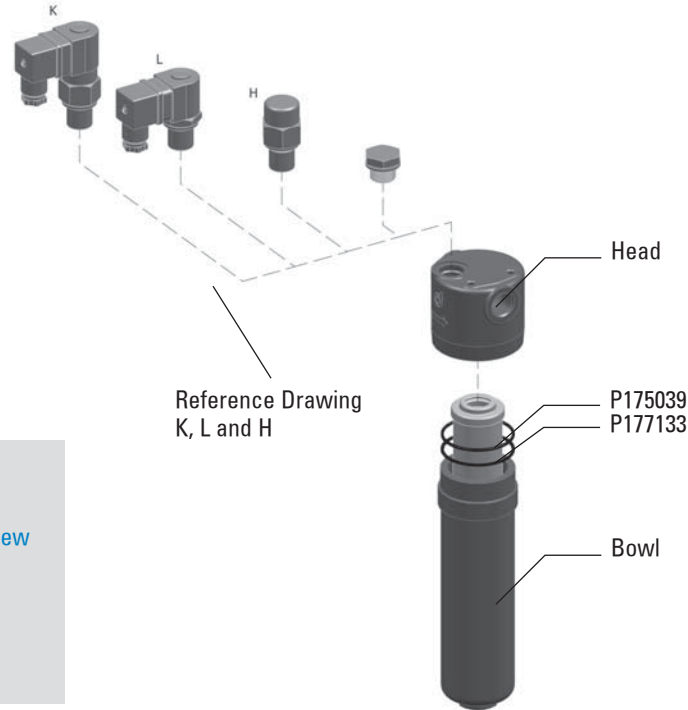
MEDIUM PRESSURE FILTERS

Standard Housing	HOUSING DIMENSIONS													CARTRIDGE DIMENSIONS			POSSIBLE INDICATORS
	A	B	C	D	E	G	H	J	L	S	BPV	M	N	X	Y	Z	
		mm	mm	mm	mm	mm	mm		mm	mm	bar	predrilled holes	plugged	mm	mm	mm	
P766661	G1/2	78	60	172	17	20	38	M8x1,25	Hex27	30	6	G1/2	YES	90	43	22,2	P171945, P171947, P171944, P761056
P766660	G1/2	78	60	258	17	20	38	M8x1,25	Hex27	30	6	G1/2	YES	176	43	22,2	



MEDIUM PRESSURE  
FILTERS

## Installation & Service Guidelines



**Important**

- The filter head snout must be lubricated before spinning on a new filter to prevent thread damage. Heavyweight gear lube is recommended.
- Oil the O-Rings before assembly.

## Performance Curves

