



Clean Fuel Solutions

# High Performance Filter Cartridges

With Donaldson Electrostatic Reduction Technology (D.E.R.T.™)

Donaldson Clean Fuel Solution Cartridges are a premium alternative to standard 6" x 18" and 6" x 36" filter cartridges. These filters are available in your choice of 4 and 7 micron filtration efficiency levels and can be installed directly into existing industrial filter housings for improved performance.

Donaldson Clean Solutions Filter Cartridges incorporate Donaldson Electrostatic Reduction Technology (D.E.R.T.™) to prevent filter media damage from electrostatic discharge. Viton® seals provide reliable filter sealing and maximum fluid compatibility.

These filter cartridges fit common housings on older bulk diesel storage tanks and related infrastructure to provide the improved filtration performance required today on existing applications.

Viton® is a registered trademark of E.I. DuPont de Nemours and Company.



## SPECIFICATIONS

Part Number	P575833	P575830	P574960	P575834
Efficiency	4 micron @ Beta 2000	7 micron @ Beta 2000	4 micron @ Beta 2000	7 micron @ Beta 2000
Target Cleanliness	14/13/11 or better	16/14/11	14/13/11 or better	16/14/11
Fluid Compatibility	All diesel fuels and light oils			
Element Collapse Pressure	150 psi / 1034 kPa / 10.3 bar		125 psi / 862 kPa / 8.6 bar	
Operating Temperature	-40 to 245°F / -40 to 118°C			
Nominal Cartridge Length	18 in / 450 mm		36 in / 900 mm	

## APPLICATIONS

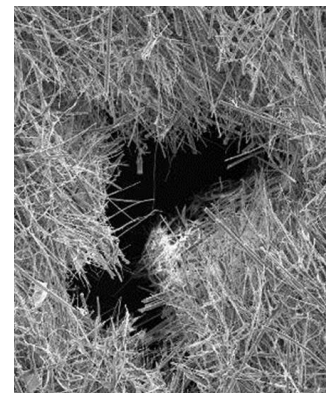
- Diesel Storage Tanks
- Clean Fuel Transfers
- Lubricant Systems
- Existing Housings
- Replacements for Kaydon, Hilco, Pall, Parker, Baldwin, Nugent and others.

## D.E.R.T.™ (Donaldson Electrostatic Reduction Technology)

Electrostatic discharge can be created when diesel fuel or light oils pass through filter media at high flow rates.

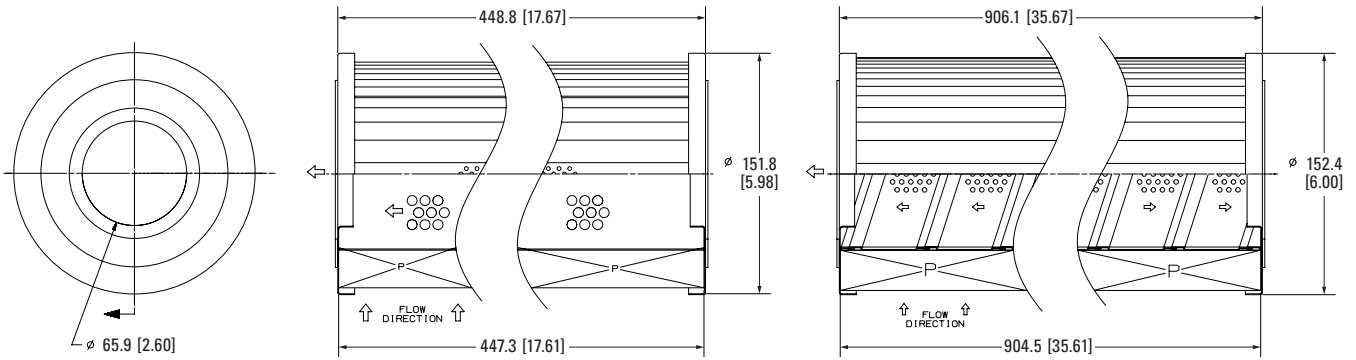
The fluid being filtered may have inadequate conductivity to dissipate the charge generated by high flow filtration applications. The electrical charge can build-up in the fluid until it discharges or sparks across the filter, burning holes in the filter media and letting through harmful contaminants.

Donaldson's proprietary Electrostatic Reduction Technology neutralizes electrical charge and prevents damage to the filter media. This enables efficient single pass fuel filtration in high flow applications.



Filter media damage from Electrostatic Discharge (ESD).

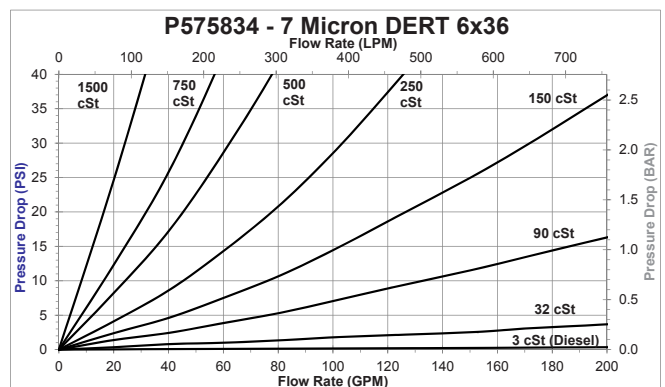
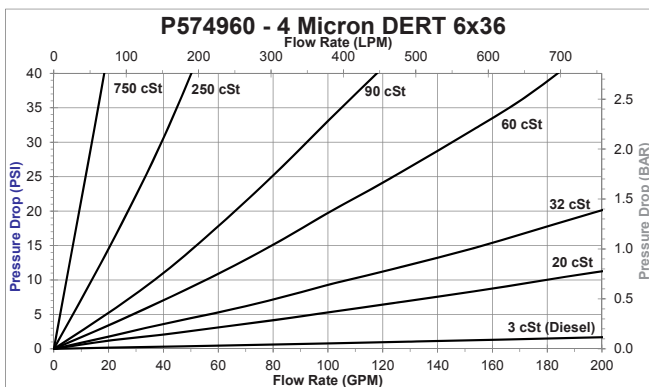
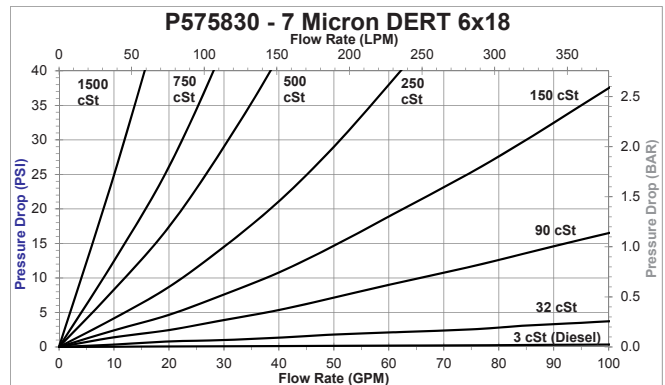
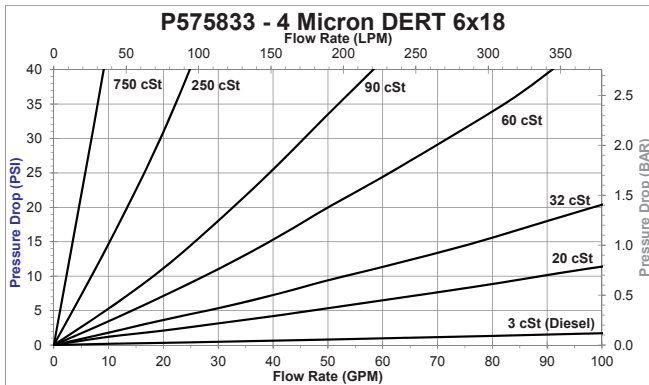
## DIMENSIONS



**18-inch Length**  
P575833 – 4 micron  
P575830 – 7 micron

**36-inch Length**  
P574960 – 4 micron  
P575834 – 7 micron

## PERFORMANCE



MyCleanDIESEL.com

**Achieve More.**

Visit [MyCleanDiesel.com](http://MyCleanDiesel.com)  
for your own Clean Solutions.



Donaldson Company, Inc.  
Minneapolis, MN USA

855-518-7784 (USA/Canada)

[MyCleanDiesel.com](http://MyCleanDiesel.com)  
[donaldsonfilters.com](http://donaldsonfilters.com)

**Need a Clean Solution?**

As a global organization, we have offices throughout the world. Please direct your inquiry to [clean.solutions@donaldson.com](mailto:clean.solutions@donaldson.com). This will enable us to address your inquiry in the shortest possible time.

Mexico	Brazil	South East Asia	Korea
Latin America	Europe & Middle East	Greater China	Australia
Caribbean	South Africa	Japan	India

Brochure No. F111545 ENG (12/15)

© 2015 Donaldson Company, Inc. All rights reserved. Donaldson Company, Inc. reserves the right to change or discontinue any model or specification at any time and without notice. Printed in the U.S.A.