



Donaldson Delivers

HAK05 Return-Line Filter

Max Flow: 120 gpm (454 lpm)



Working Pressures to

500 psi
3448 kPa
34.5 bar

Rated Static Burst to

1000 psi
6895 kPa
69 bar

Flow Ranges to

Return-line: 120 gpm/ 454 l/min
Suction: 30 gpm/114 l/min

Beta Rating

- Performance to $\beta_{5(c)}=1000$

Porting Size Options

- 1½" NPT
- SAE-24 O-ring

Replacement Filter Lengths

- 8" / 203 mm
- 16" / 406 mm

Standard Bypass Ratings

- 25 psi / 172.5 kPa / 1.7 bar

Assembly Weight

- 18 lbs / 8.2 kg (long)
- 13 lbs / 5.9 kg (short)

Operating Temperatures

- Synthetic Media:
-20°F to 250°F / -29°C to 121°C

Element Burst Ratings

- 100 psid / 690 kPa / 6.9 bar

Applications

- Return Lines
- Side Loop Systems
- In-Plant and Mobile Machinery
- Lube Oil Systems
- Suction Lines

Features

The hardy HAK05 is perfect for return-line filtering in heavy duty applications where you want a cartridge style filter. Its inside to outside flow pattern means that dirt is collected on the inside of the cartridge, eliminating the need for heavy cleaning of the housing when servicing the filter. HAK05 filters feature a die cast aluminum head, steel body, and a single center-retention bolt that simplifies servicing.

HAK05 is available in two element lengths, 16" and 8", to accommodate various flow ratings. Several elements available at various performance levels. If you're looking for the convenience of a spin-on style filter, use the HMK05 or HMK25.

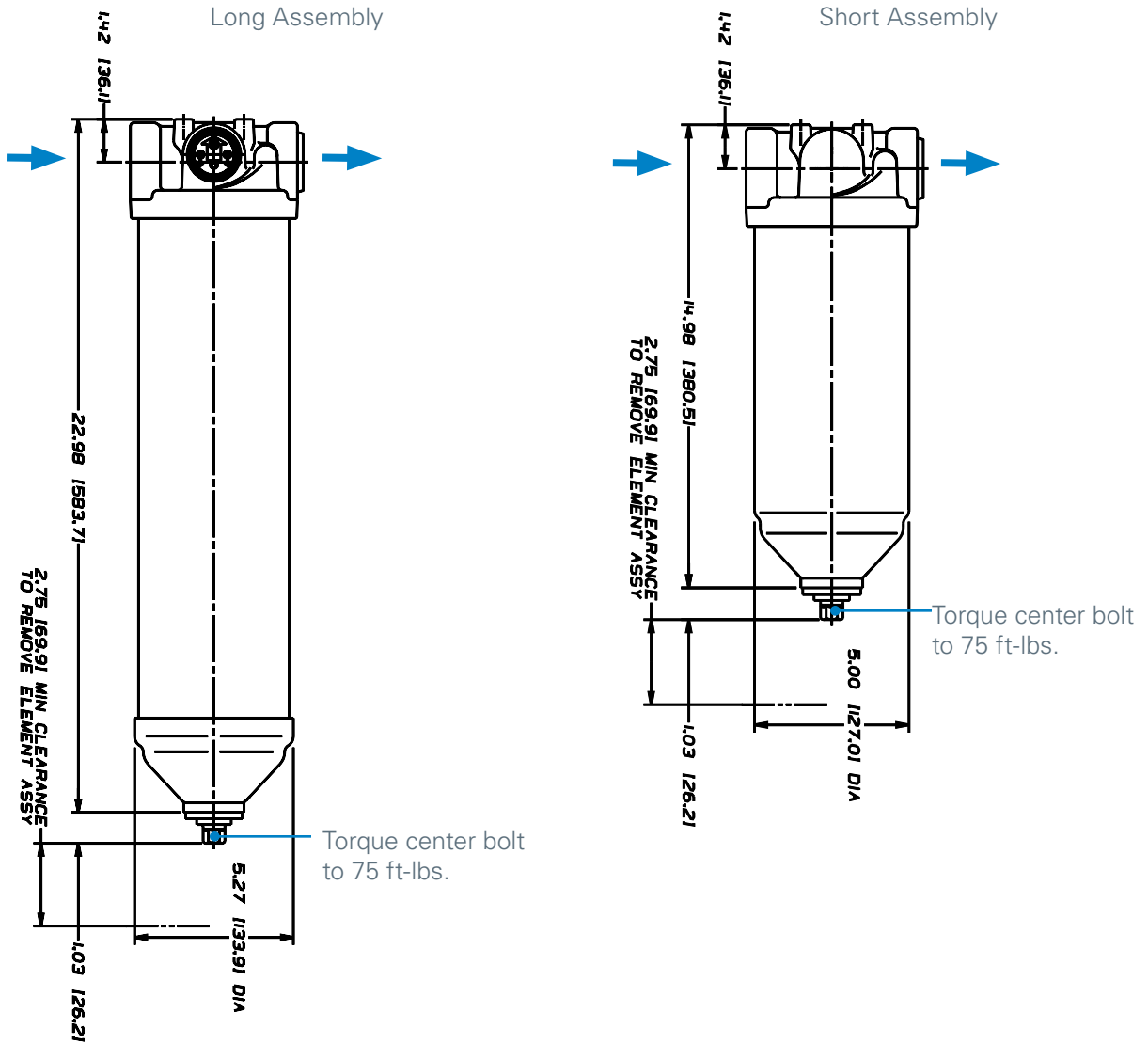
HAK05 Specification Illustrations

All dimensions are shown in inches [millimeters].

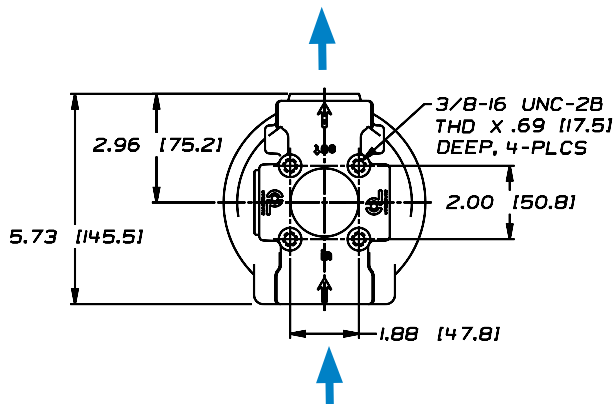
HAK05

Max Flow: 120 gpm (454 lpm)

Assembly - Side View



Head - Top View



Visual Indicator

- P160473 BunaN seal*
- P161847 Viton seal*

Head Assembly

Visual Indicator Right Side,
Recessed Left Side

- P160438 NPT 1 1/2*
- P163257 SAE 24*

Visual Indicator Left Side,
Recessed Right Side

- P160451 NPT 1 1/2*
- P163186 SAE 24*

Repair Kit

- P160710 BunaN seal†

Head O-Ring

- P160016 BunaN seal (Size 351)*
- P161849 Viton seal*

Bypass Indicator O-Ring

- P160125 BunaN seal†
- P161851 Viton seal (Size 227)†

Bypass Valve Assembly

Bypass Valves have BunaN seals and snap into element endcap.

- P160373 Bypass†
- P160351 Bypass†

Housing

- P160412 8"*
- P160083 16"*

Bypass Spring

- P160130 25 psi / 172 kPa†

Commercial # 210

Gasket Washer

- P160020 BunaN seal†
- P161852 Viton seal†

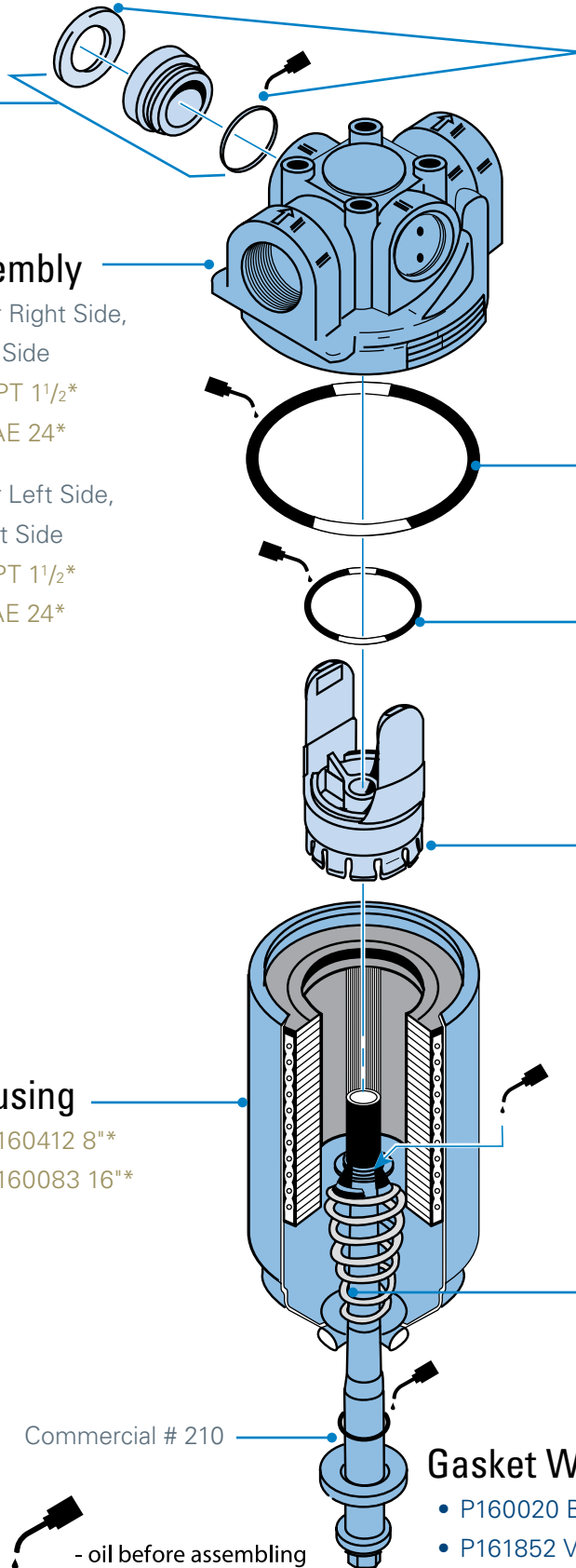
- oil before assembling

Center Bolt

- P160152 8"*
- P160154 16"*

*Lead Times Apply

†Stocked Item



Replacement Cartridge Options

Media Number	Media Technology	$\beta_{x(c)} = 2/20/75$ Rating	Length		Donaldson Part No.
			in	mm	
No. 1	Synteq®	<2 / <2 / 3	16	406	P161016
No. 2	Synteq	2 / 3 / 5	8	203	P165626
	Synteq		16	406	P165628
No. 2 1/2	Synteq	2 / 7 / 10	8	203	P176220
	Synteq		16	406	P176221
No. 6	Synteq	5 / 10 / 13	8	203	P160558
No. 9	Synteq	10 / 17 / 22	8	203	P166461
	Synteq		16	406	P164699
No. 16	Synteq	15 / 30 / 37	8	203	P163172
	Synteq		16	406	P161571
No. 20	Synteq	20 / 33 / 40	8	203	P560527
	Synteq		16	406	P166597
No. 149	Wiremesh	150	8	203	P162368
			16	406	P160700

Filter Notes

Filters with seals made of BunaN are appropriate for most applications involving petroleum oil. Filters with seals made of Viton® (a fluoroelastomer) are required when using diester, phosphate ester fluids, water glycol, water/oil emulsions, and HWCF (high water content fluids) over 150°F. Donaldson offers both types, as shown in the table at the above. (Viton® is a registered trademark of DuPont Dow Elastomers.)

Donaldson Synteq filter media is compatible with petroleum based fluids, most phosphate esters, water oil emulsions, and HWCF (high water content fluids).



Donaldson Company, Inc.
Minneapolis, MN

donaldson.com
shop.donaldson.com

North America 800-374-1374
Mexico, Latin America, &
Caribbean 52-449-300-2400
Brazil 55-11-4894-6339
Europe 32-16-38-3811
South Africa 27-11-997-6000

Southeast Asia 65-6311-7373
Greater China 86-400-650-0610
Japan 81-42-540-4112
Korea 82-2-517-3333
Australasia 61-02-4350-2033
India 91-124-4807-400

Brochure No. F111447 ENG (4/18)

© 2018 Donaldson Company, Inc. All rights reserved.
Donaldson Company, Inc. reserves the right to change or discontinue any model or specification at any time and without notice. Printed in the U.S.A.