



Donaldson.
FILTRATION SOLUTIONS

FISB

In-Tank Return Line Filter Assemblies

Donaldson FISB in-tank filter assemblies are ideal for mobile and industrial power unit hydraulic applications where the breather integrated into the filter can save space to yield a compact solution.

Max Operating Pressure: 150 psi (10.3 bar)



Cleanliness beyond the industry standard.

High performance media filter elements deliver lower operating ISO Codes with high efficiency particulate removal and retention efficiency. With integral element bypasses and a range of media options, you get the perfect element for your application, every time.

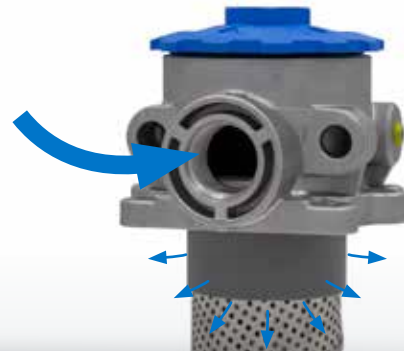


Clean and easy servicing access.

The top-loading FISB housing provides easy and clean access during element service — no slippery spin-ons to handle. A threaded cover allows for quick element changes with no special tools required.

Reduced contamination risk with inside-to-out flow.

The FISB housing utilizes an inside-to-out element flow, meaning all the dirt captured by the element stays in the element during service. Contaminants aren't released back into the system like in traditional outside-to-in element designs that re-contaminate hydraulic tanks during filter changes.



Loaded with features for convenient use.

Packed with features such as an easy-to-service composite threaded cover, integral BT T.R.A.P.™ breather, industry-standard 2-bolt and 4-bolt mounting patterns, integral element hold-down/removal handle (no spring), and integral bypass (new bypass with every element change). Optional auxiliary inlet ports are available.

Helps prevent aeration.

Smaller reservoirs, high return flow and high velocity through outside-to-in flow elements add up to tank turbulence and reservoir aeration with poor air release. The FISB assemblies help prevent aeration by diffusing return flow and creating laminar conditions inside the hydraulic tank.



Easy incorporation of breather.

Adding a breather to the FISB assembly is easy because the breather can be incorporated directly into the filter housing. Utilizing exclusive T.R.A.P. technology, the breather removes both airborne moisture as well as 97% of particulate 3 micron and larger. Servicing the breather is tool-free and can be done in just seconds.

LOW PRESSURE FILTRATION

FISB



In-Tank Assembly

Max Flow: 70 gpm (265 lpm)

Max Pressure: 150 psi (1034 kPa) / 10.3 bar

- Common 2-bolt and 4-bolt mounting options
- Integrated breather with anti-splash design
- Reverse flow element prevents fluid aeration and allows for a smaller reservoir
- Raised bypass valve design keeps the dirt in the filter during servicing
- Easy servicing with common hand tools
- Optional auxiliary ports
- Visual and electrical indicator options

Part Number

P583634

P583554

X220872

Port Connection

1" SAE thread

1-1/4" SAE thread

Weld Flange

FILTER CHOICES

| Donaldson Part Number | $\beta_{x(c)} = 1000$ per ISO 16889 | Media Type | Filter Length | Bypass Rating (psid) |
|-----------------------|-------------------------------------|--------------|---------------|----------------------|
| P583635 | <4 μ m | DT Synthetic | 8" (20 cm) | 25 |
| P583636 | 5 μ m | | | |
| P583637 | 8 μ m | | | |
| P583638 | 12 μ m | | | |
| P583639 | 23 μ m | | | |
| P583641 | 5 μ m | DT Synthetic | 10" (25 cm) | |
| P583642 | 8 μ m | | | |
| P583643 | 12 μ m | | | |
| P583644 | 23 μ m | | | |
| P583646 | 5 μ m | DT Synthetic | 13" (33 cm) | |
| P583647 | 8 μ m | | | |
| P583648 | 12 μ m | | | |
| P583649 | 23 μ m | | | |
| P583651 | 5 μ m | DT Synthetic | 19" (48 cm) | |
| P583555 | 8 μ m | | | |
| P583652 | 12 μ m | | | |
| P583653 | 23 μ m | | | |
| P583655 | 5 μ m | DT Synthetic | 8" (20 cm) | 50 |
| P583656 | 8 μ m | | | |
| P583657 | 12 μ m | | | |
| P583658 | 23 μ m | | | |
| P583660 | 5 μ m | DT Synthetic | 10" (25 cm) | |
| P583661 | 8 μ m | | | |
| P583662 | 12 μ m | | | |
| P583663 | 23 μ m | | | |
| P583665 | 5 μ m | DT Synthetic | 13" (33 cm) | |
| P583666 | 8 μ m | | | |
| P583667 | 12 μ m | | | |
| P583668 | 23 μ m | | | |
| P583670 | 5 μ m | DT Synthetic | 19" (48 cm) | |
| P583671 | 8 μ m | | | |
| P583672 | 12 μ m | | | |
| P583673 | 23 μ m | | | |

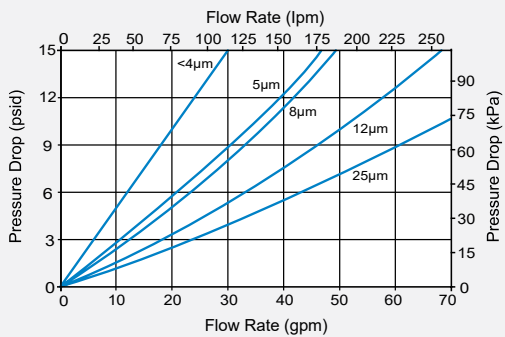
LOW PRESSURE FILTRATION

HEAD CHOICES

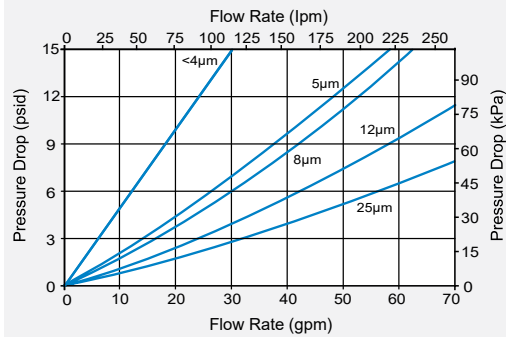
| Donaldson Part Number | Connection | Breather | Indicator | Seals |
|-----------------------|----------------|----------|-----------|--------------|
| P583554 | SAE-20, O-ring | Plug | None | Flourocarbon |
| P583634 | SAE-16, O-ring | Plug | None | Flourocarbon |

PERFORMANCE DATA

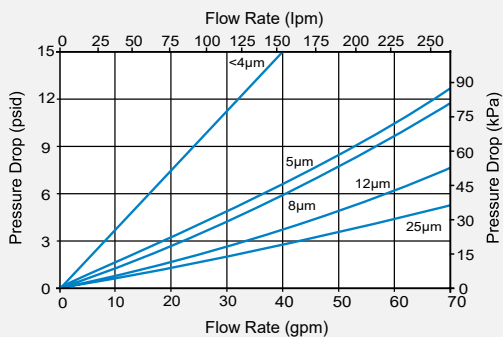
FISB 8" Filter & Housing Assembly



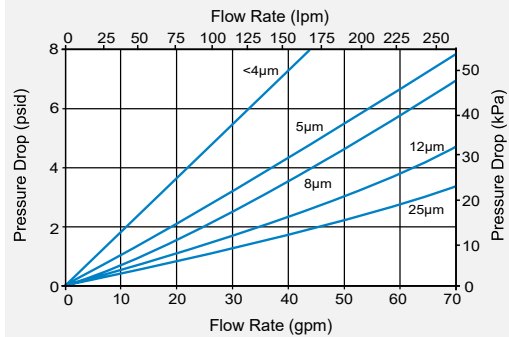
FISB 10" Filter & Housing Assembly



FISB 13" Filter & Housing Assembly



FISB 19" Filter & Housing Assembly

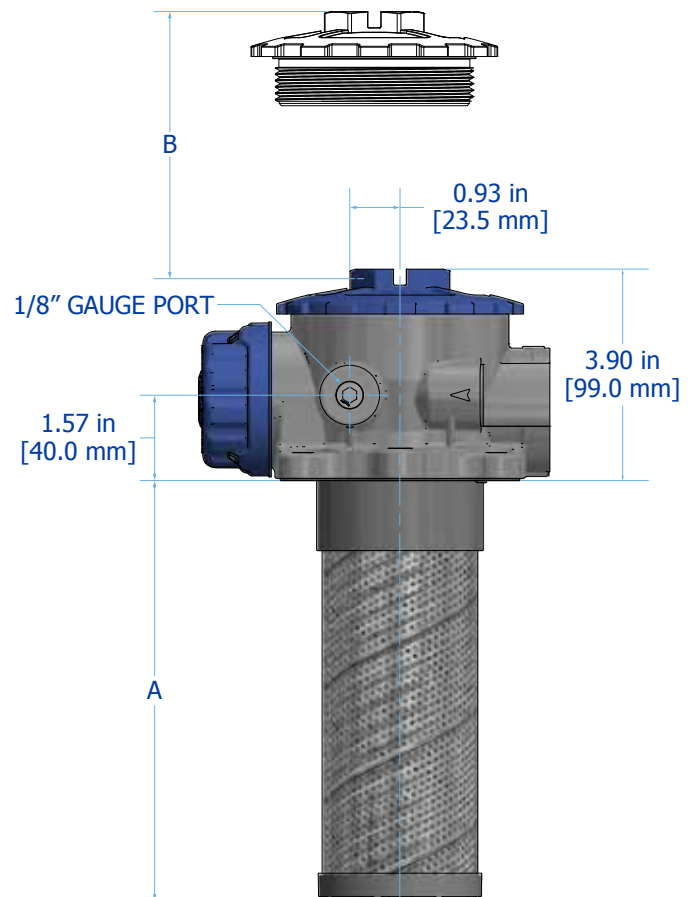
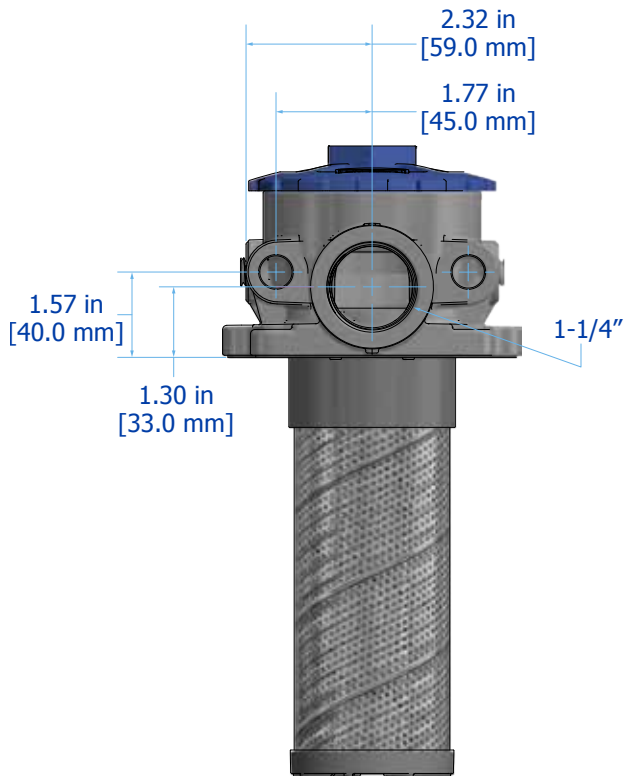
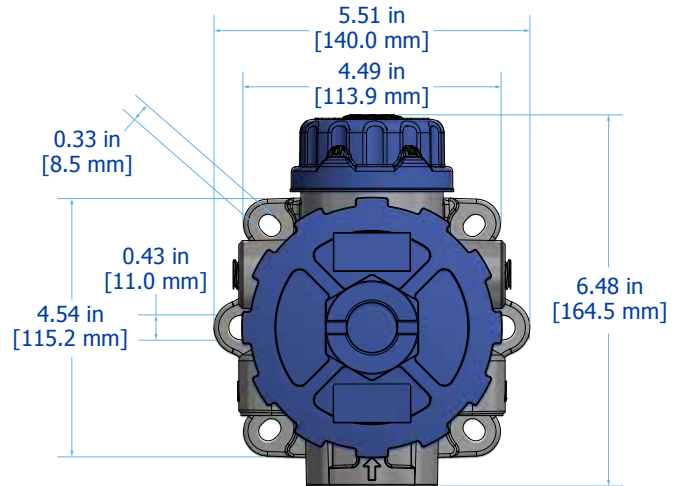
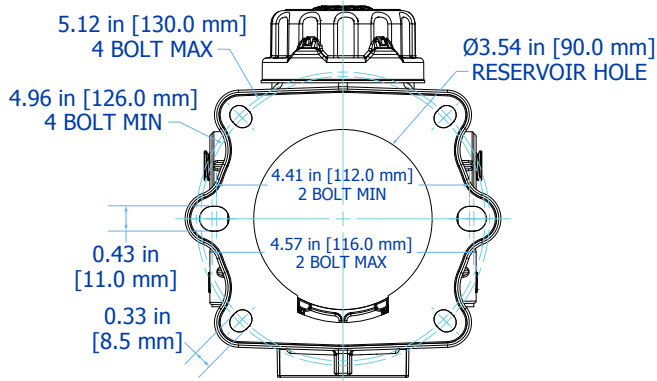


LOW PRESSURE FILTRATION

FISB INSTALLATION DRAWINGS

Dimension Table





| Length | L8 | L10 | L13 | L19 |
|----------|---------------------|----------------------|----------------------|----------------------|
| A | 7.75 in 152.4 mm | 9.67 in 245.6 mm | 12.88 in 327.1 mm | 19.3 in 490.2 mm |
| B | 11.5 in 292.1 mm | 13.42 in 340.9 mm | 16.63 in 422.4 mm | 23.05 in 585.5 mm |



LOW PRESSURE FILTRATION

T.R.A.P.™ BREATHERS

STYLE B ASSEMBLY OPTIONS with 4 Hole Mounting Configurations Only

| | Donaldson Part Number | Description | Efficiency | Fits Assembly Models: | Notes |
|---|-----------------------|---|-------------|-----------------------|--|
|  | P766528 | Black Standard plug (no air exchange) | N/A | FIS-B |   |
|  | P766530 | Blue Atmospheric pressure | 10 µm @ 98% | FIS-B | |

FISB SPECIFICATIONS

| | | | |
|----------------------------------|--|---|---|
| Operating Temperature | -20°F to 250°F (-29°C to 121°C) | | |
| Operating Pressure | 150 psi (10.3 bar) maximum | | |
| Pressure Switch Trigger | 18 psi (1.2 bar) or 35 psi (2.4 bar) | | |
| Visual Gauge | 0-100 psi, no color code 15 psi, green to red 25 psi, green to red | | |
| Element Burst Rating | 100 psid (6.9 bard) | | |
| Integral Bypass Setting | 25 psid (1.7 bard) or 50 psid (3.2 bard) | | |
| Materials of Construction | Head Cast aluminum | Cover and Breather Nylon glass-filled | Element Bypass Valve Plated steel |

LOW PRESSURE FILTRATION

ACCESSORIES

| Description | Part Number | Indicator Pressure | Connection |
|-------------------------|-------------|--------------------|--------------------------|
| Electrical Indicator | X011066 | 35 psi | Brad Harrison |
| Electrical Indicator | X011065 | 18 psi | Brad Harrison |
| Electrical Indicator | X011064 | 35 psi | Hirschman |
| Electrical Indicator | X011061 | 18 psi | Hirschman |
| Pressure Indicator | X011059 | 25 psi | Dial Gauge |
| Pressure Indicator | X011075 | 50 psi | Dial Gauge |
| Pressure Gauge | P579716 | 0-100 psi | Color Dial Gauge 25 psid |
| Pressure Gauge | P579714 | 0-100 psi | Dial Gauge |
| Breather (10 µm at 98%) | P766530 | | |
| Plug (no air exchange) | P766528 | | |

| Description | Part Number | Indicator Pressure | Connection |
|-------------------------|-------------|--------------------|--------------------------|
| Electrical Indicator | X011066 | 35 psi | Brad Harrison |
| Electrical Indicator | X011065 | 18 psi | Brad Harrison |
| Electrical Indicator | X011064 | 35 psi | Hirschman |
| Electrical Indicator | X011061 | 18 psi | Hirschman |
| Pressure Indicator | X011059 | 25 psi | Dial Gauge |
| Pressure Indicator | X011075 | 50 psi | Dial Gauge |
| Pressure Gauge | P579716 | 0-100 psi | Color Dial Gauge 25 psid |
| Pressure Gauge | P579714 | 0-100 psi | Dial Gauge |
| Breather (10 µm at 98%) | P766530 | | |
| Plug (no air exchange) | P766528 | | |

MORE THAN JUST FILTRATION

Upgrade to a Lower Total Cost of Ownership

Upgrading to Donaldson filter elements is a good first step in improving oil cleanliness. Keeping fluids clean can increase the efficiency and reliability of your equipment while reducing repairs, downtime, and total overall cost of ownership.

Delivery in Days, Not Weeks

Donaldson's flexible manufacturing process and large inventory of ready-to-ship filter elements help ensure a quick response time, so you get the right filter when you need it most.

Quality Products Backed by an Industry Leader

High-quality Donaldson filter elements are backed by the unrivaled knowledge and support of a company with over 100 years of filtration experience.



donaldson.com
shop.donaldson.com

Donaldson Company, Inc.
Minneapolis, MN

Australasia 61-02-4350-2033
Brazil 55-11-4894-6339 Greater
China 86-400-650-0610
Europe 32-16-38-3811

India 91-124-4807-400
Japan 81-42-540-4112
Korea 82-2-517-3333
Mexico, Latin America & Caribbean 52-449-300-2400

North America 800-374-1374
South Africa 27-11-997-6000
Southeast Asia 65-6311-7373

Important Notice: Many factors beyond the control of Donaldson can affect the use and performance of Donaldson products in a particular application, including the condition under which the product is used. Since these factors are uniquely within the user's knowledge and control, it is essential the user evaluate the products to determine whether the product is fit for the particular purpose and suitable for the user's application. All products, product specifications, availability and data are subject to change without notice, and may vary by region or country.

Brochure No. F111693 ENG (02/26)

©2026 Donaldson Company, Inc. All rights reserved. Donaldson Company, Inc. reserves the right to change or discontinue any model or specification at any time and without notice. Printed in the U.S.A.