



D-GUARD™ THE DONALDSON HEARING AID FILTER

Integrated Venting Solutions

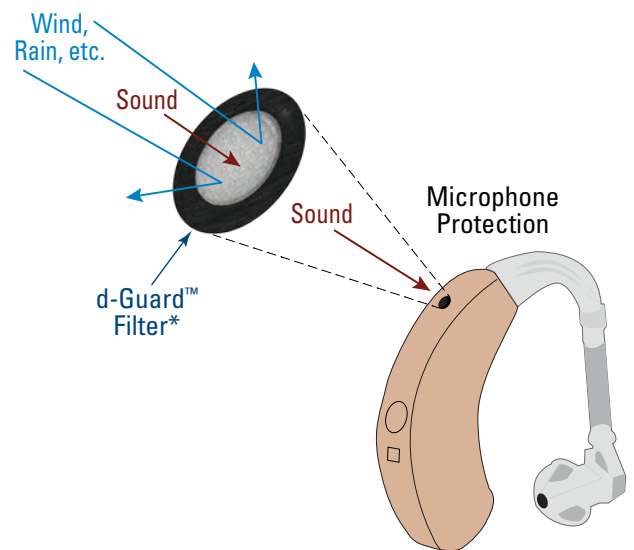
The Donaldson d-Guard™ is an acoustically transparent filter that protects microphones and can easily be integrated into BTE hearing aids as a standard part. It protects the device's microphone from contaminants such as dirt, dust, hair spray, oils, perspiration, and water, so that ambient sound can still be heard, even when the device has been exposed to these contaminants.

FEATURES


- Fits a standard microphone opening of 2.44 mm
- Applied to Behind the Ear (BTE) hearing aids
- Press-fits into place
- Reduces wind noise
- Inhibits ingress of cerumen
- Protects from water ingress
- Precision die cut and over-molded product
- Filter material comes in either white or black

BENEFITS

- Empowers audiologists and manufacturers to streamline filter application and/or development
- Fits existing hearing aids
- No sealing materials or adhesives required
- Easy and complete device integration
- Extends the life of the microphone by keeping it clean
- Improves the reliability of the hearing aid
- Filter blends into device; unnoticeable and unobtrusive



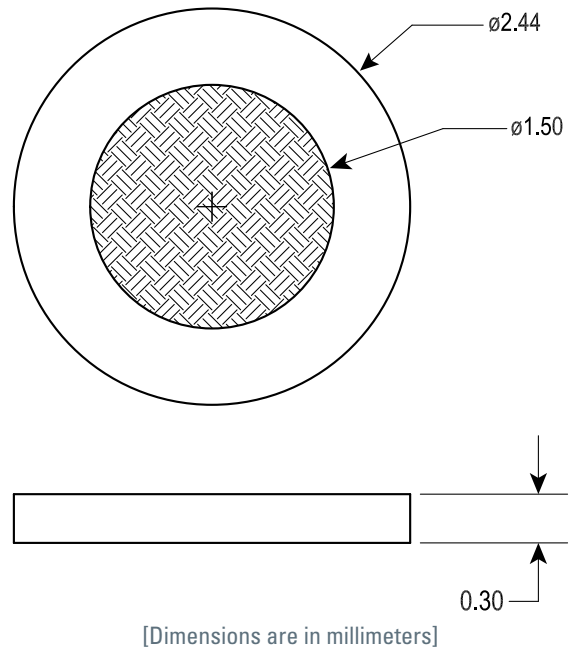
BEHIND THE EAR (BTE)

* Actual size of filter 

DESIGN CHARACTERISTICS

Property	Units	P515381	P515382
Filter Material	-	Polyester	Polyester
Filter Material Color	-	White	Black
Frame Material	-	ABS	ABS
Frame Color	-	Black*	Black*
Airflow @ 12 mbar	l/Hr/cm ²	11,400	6,809
Oleophobicity Rating	1-8	7	7
IP Rating	-	IP44	IP44
Pore Size	micron	100	50

* Custom frame colors are available upon request



Donaldson is IATF 16949:2016 certified and our focus is on high quality manufacturing, responsive customer service, and tailored solutions that can be easily integrated into our customer’s device or application. Our unique, proprietary membrane and oleophobic treatment processes allow us to select the best types of materials to meet your application requirements.

Donaldson Company is a leading global provider of filtration products, with sales and manufacturing of venting products in the U.S., Europe and Asia. Let Donaldson be your partner in problem-solving.

Important Notice

Many factors beyond the control of Donaldson can affect the use and performance of Donaldson products in a particular application, including the conditions under which the product is used. Since these factors are uniquely within the user’s knowledge and control, it is essential the user evaluate the products to determine whether the product is fit for the particular purpose and suitable for the user’s application. All products, product specifications, availability and data are subject to change without notice, and may vary by region or country.



Donaldson Company, Inc.
Venting Solutions
PO Box 1299
Minneapolis, MN 55440-1299 U.S.A.

donaldsonventing.com

United States of America:
952-887-3874
ivs@donaldson.com

Europe, Middle East, and Africa:
+32 16 38 3710
venting.solutions@donaldson.com

Greater China:
+86 21 2313 7080
Info.CN@Donaldson.com

Japan:
+81 42 540 4119
jp-ndl.ivs@donaldson.com

Korea:
+82 2 517 3333
ivs.korea@donaldson.com